

# ESSENCIA OVAL 7236

72" x 36" x 27" (FREESTANDING)

Essencia evokes essence—the elemental aspects of the inner being.



## PRODUCT NO.

MODEL	TMU	TUB
Freestanding	BESOF00T-XX	BESOF00N-XX

THERMOMASSEUR (TMU) Hydro-thermo massage • Air jet system	\$
Jets	46
1 heated backrest & headrest	Included
MiaMulti® Control*	Included
Geysair®	Included
AromaCloud® <b>BAROMAC</b>	\$
Illuzio Chromatherapy <b>BCHRO6</b>	\$

TUB Soaker	\$
AromaCloud® <b>BAROMAC</b>	\$
Illuzio Chromatherapy <b>BCHRO6</b>	\$
WarmTouchShell® <b>BWTS</b>	\$
DOT control	Included with therapy


## FEATURES

Installation type	Freestanding		
No. of bathers	1	Inverted V	1
US gallons	61	Armrests	2
Imp. gallons	51	Grab bars (color match)	2
Raised seat	1	Footrest	Included

## WASTE & OVERFLOW 16" x 35" **BOVER16I-XX**

White <b>01</b> , Chrome <b>07</b> , Brushed Nickel <b>09</b> , Polished Nickel <b>10</b> , Oil-rubbed Bronze <b>11</b>	Installed & Included
---	----------------------

## STANDARD COLOR

 White <b>01</b>	Included
---	----------

## OPTIONS (UPCHARGE APPLICABLE)

### CLEAR ACRYLIC GRAB BARS **BGBG10-XX**

With Chrome <b>07</b> or Brushed Nickel <b>09</b> inserts	\$
---	----

### ISLAND TUB DRAIN™\*\*

Island Tub Drain™ <b>BISLDD</b>	\$
Cast Iron Island Tub Drain™ <b>BISLDDCI</b>	\$

### IF REQUIRED BY CONSTRUCTION CODE OR INSTALLED WITH ITD

16" x 35" Cable driven Brass waste & overflow kit <b>BOVERBR-XX</b>	\$
---	----



Don't forget that this model is available in **White only**.  
 Don't forget to specify the **finish of the integrated waste & overflow**.  
 \* For TMU, control must be wall-mounted. Faucets must be freestanding or wall-mounted.  
 \*\* An Island Tub Drain™ is required when there is **no access under the bath**.

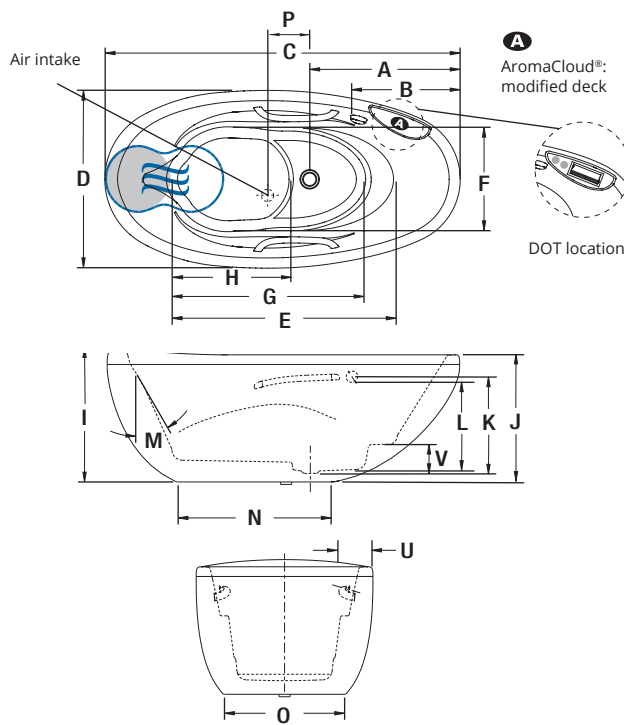
**TOTAL PRICE** \$



**ESSENCIA OVAL 7236 (FREESTANDING)**



**INSTALLATION**



LETTER	DESCRIPTION	MEASURE
A	Outside edge to center waste	30 1/2"
B	Outside edge to overflow	20 1/2"
C	Total length	72"
D	Total width	36"
E	Bathing well length	45 1/4"
F	Bathing well width	21"
G	Bottom bathing well length	38"
H	Raised seat length	22 5/8"
I	Total height to headrest	27 3/8"
J	Height from bottom of TUB to top deck	26"
K	Height from waste to center of overflow	18 3/8"
L	Maximum water level	16 5/8"
M	Slope of backrest	30°
N	Base length	32 3/8"
O	Base width	19"
P	Distance from center air intake to center waste	7 7/16"
U	Minimum spout reach	6 3/8"
V	Height of footrest	5 1/2"

- A** AromaCloud® position
- Indicates heated backrest (TMU)
- ☁ Indicates WarmTouchShell® position (TUB)

**TECHNICAL SPECIFICATIONS**

<b>Hot water supply required</b>	Should be 70% of water capacity of TUB or greater.
<b>Turbine</b>	Access to the pump must be at least 18" x 22". <b>Standard connection is 20 A, 120 V, 60 Hz</b> , dedicated line with a Ground-Fault Circuit Interrupter (GFCI). <b>For any additional option, a second line is needed 15 A, 120 V, 60 Hz</b> , dedicated line with a GFCI. Air vent necessary: 2" x 4" minimum.
<b>Others</b>	<ul style="list-style-type: none"> <li>- Faucet must be freestanding or wall-mounted.</li> <li>- The turbine must be <b>remotely installed</b>.</li> <li>- TMU: Control must be wall-mounted.</li> <li>- TUB: DOT controls are located on the side of the AromaCloud®.</li> </ul>

Our products must be installed by certified professionals only and according to our Owner's Manual as well as federal, provincial/state and local building codes and regulations ([www.bainultra.com/documentation/documentation](http://www.bainultra.com/documentation/documentation)).

<b>Cutting template</b>	# 90000056
<b>Approx. shipping weight</b>	305 lbs
<b>Turbine power</b>	550 W
<b>Air heater</b>	600 W
<b>WARRANTY</b>	
Controls-LED-Geysair*	5 years
Bath & turbine*	20 years

\* Some restrictions apply | [www.bainultra.com/warranty](http://www.bainultra.com/warranty)



The specifications shown indicate the outer edge dimension and the inside bathing capacity dimension measured at air jets' height. The manufacturer accepts a 1/4" [0.64 cm] variance. There are variations on each product and specifications are subject to change as we improve upon our product as required. The dimensions needed for site preparation and structure building will differ. BainUltra® assumes no responsibility for preparatory work done prior to the product being on site.