

ORIGAMI 7236 ORIGINAL SERIES

72" x 36" x 22"

The traditional Japanese art of folding paper into symbolic shapes is the inspiration behind the Origami Collection, which stands out for its clean lines and versatility.



Standard deck 4"

PRODUCT NO.

DESCRIPTION	TMU	TUB
4" deck	BOOSRI00T-XX	BOOSRI00N-XX
2" deck	BOOSRI20T-XX	BOOSRI20N-XX
Slim deck	BOOSRI10T-XX	BOOSRI10N-XX

THERMOMASSEUR (TMU) Hydro-thermo massage • Air jet system	\$
Jets	42
1 heated backrest	Included
MiaPlus® Control	Included
Geysair®	Included
AromaCloud** BAROMAC	\$
Illuzio Chromatherapy BCHRO6	\$
2 nd heated backrest (WTS-1 zone) BSHB	\$

TUB Soaker	\$
AromaCloud** BAROMAC	\$
Illuzio Chromatherapy BCHRO6	\$
WarmTouchShell® BWTS	\$
DOT control	Included with therapy
2 nd WarmTouchShell® BWTS2	\$

FEATURES

Installation type	Drop-in: 1/2", 2" & 4" Undermount & Alcove (3 walls): 2"		
No. of bathers		Imp. gallons	54
US gallons	64		

STANDARD COLOR		
		Included
White 01	Biscuit 02	

- ☀ Don't forget to indicate the deck height (1/2", 2" or 4"). Slim deck are available for Drop-in installation only.
- * The AromaCloud® is built into the deck.
- ** When ordered with integrated waste & overflow.

OPTIONS (UPCHARGE APPLICABLE)

COLOR		
	Gray 05	\$
FINISH		
UltraVelour Matte Finish (White only) BVEL		\$
WASTE & OVERFLOW	16" x 35" BOVER16-XX	INTE-GRATED BOVERIN-XX
Chrome 07	\$	\$
White 01, Biscuit 02	\$	\$
Brushed Nickel 09, Polished Nickel 10	\$	\$
Oil-rubbed Bronze 11	\$	N/A
Black Chrome 12, Matte Black 19, Satin Brass 18	N/A	\$
SKIRT (2" lip only)	MULTIFIT BSMUL-XX	SJ-1 BSJ1-XX
White 01, Biscuit 02	\$	\$
Gray 05	\$	\$
CONTROL (TMU only)		
MiaMulti® BMIAM2-XX		\$
TILE FLANGE (with 2" lip only) (specify front or back)		
Ordered with bath (not installed) BTILEN		\$
Factory-installed. Front BTILEF, Back BTILEB, Special installation BTILEO		\$
IF REQUIRED BY CONSTRUCTION CODE OR INSTALLED WITH ITD		
Brass waste & overflow kit** BDRCOB		\$
Brass waste kit** BDRCB		\$
16" x 35" Cable driven Brass waste & overflow kit BOVERBR-XX		\$

TOTAL PRICE	\$
--------------------	----



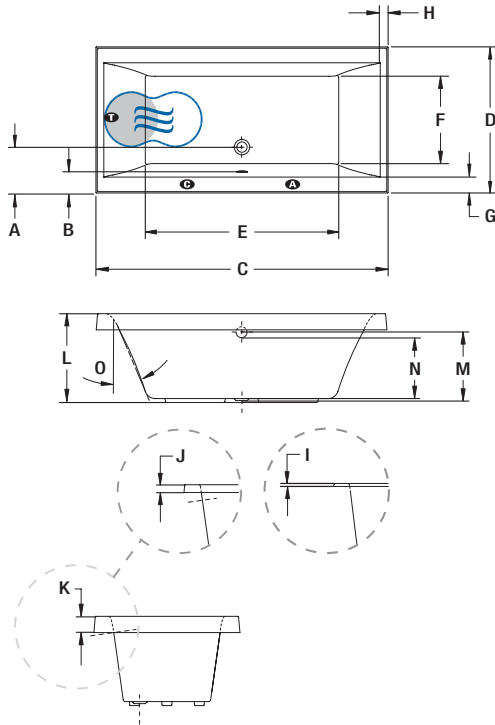
ORIGAMI 7236 ORIGINAL SERIES



Standard deck 4"

INSTALLATION

A When tile flange is added, the AromaCloud® will automatically be installed on the opposite side of the flange.



LETTER	DESCRIPTION	MEASURE
A	Outside edge to center drain	11 1/4"
B	Outside edge to overflow	4 5/8"
C	Total length (with slim deck height)	71 1/4"
	Total length (with 2" deck height)	71 5/8"
	Total length (with 4" deck height)	72"
D	Total width (with slim deck height)	35 1/4"
	Total width (with 2" deck height)	35 5/8"
	Total width (with 4" deck height)	36"
E	Bathing well length	48 1/8"
F	Bathing well width	22"
G	Deck width	4 3/8"
H	Deck width at backrest end	1 3/4"
I	Height from bottom of lip to top deck	1/2"
J	Height from bottom of lip to top deck	2"
K	Height from bottom of lip to top deck	4"
L	Height from bottom of TUB to top deck	22"
M	Height from drain to center of overflow	17 5/8"
N	Maximum water level	16"
O	Slope of backrest	24°

- A** AromaCloud® position
- G** Control position when factory-installed (Mia® or DOT)
- T** Turbine position (TMU)
- Indicates heated backrest (TMU)
- ☁ Indicates WarmTouchShell® position (TUB)

TECHNICAL SPECIFICATIONS

Hot water supply required	Should be 70% of water capacity of TUB or greater.
Turbine	Access to the pump must be at least 18" x 22". Standard connection is 20 A, 120 V, 60 hz , dedicated line with a Ground-Fault Circuit Interrupter (GFCI). For any additional option, a second line is needed 15 A, 120 V, 60 hz , dedicated line with a GFCI. Air vent necessary: 2" x 4" minimum.
Other	Optional tile flange with 2" lip height only (specify front or back).

Our products must be installed by certified professionals only and according to our Owner's Manual as well as federal, provincial/state and local building codes and regulations (www.bainultra.com/documentation/documentation).

Cutting template	# 90000047
Approx. shipping weight	137 lbs
Turbine power	550 W
Air heater	600 W
WARRANTY	
Controls-LED-Geysair*	5 years
Bath & turbine*	20 years

* Some restrictions apply | www.bainultra.com/warranty



The specifications shown indicate the outer edge dimension and the inside bathing capacity dimension measured at air jets' height. The manufacturer accepts a 1/4" [0.64 cm] variance. There are variations on each product and specifications are subject to change as we improve upon our product as required. The dimensions needed for site preparation and structure building will differ. BainUltra® assumes no responsibility for preparatory work done prior to the product being on site.