

INUA 6636

66" x 36" x 23"

In Inuit spirituality Inua means "everything that lives." INUA is the universal soul that unites all things in nature.



Standard 1 1/2" deck

PRODUCT NO.

MODEL	TMU	TUB
Standard 1 1/2" deck	BINLRD00T-XX	BINLRD00N-XX
Slim deck 1/2"	BINLRD10T-XX	BINLRD10N-XX

THERMOMASSEUR (TMU) Hydro-thermo massage • Air jet system	\$7,975
Jets	50
1 heated backrest	Included
MiaPlus® Control	Included
BU-Touch Control Application BUTOUCH	\$430
Geysair®	Included
AromaCloud® BAROMAC	\$490
AromaFlow** BAROMAF NEW	\$950
Illuzio Chromatherapy BCHRO6	\$925

TUB Soaker	\$4,955
AromaCloud® BAROMAC	\$490
AromaFlow** BAROMAF NEW	\$950
Illuzio Chromatherapy BCHRO6	\$925
WarmTouchShell® BWTS	\$1,125
DOT control	Included with therapy

FEATURES

Installation type		Drop-in	
No. of bathers	1	Inverted V	1
US gallons	62	Armrests	2
Imp. gallons	51	Grab bars (color match)	2
Raised seats	1	Comfort Cushion (specify color: Grey or Black)	1

STANDARD COLOR

 White 01	 Biscuit 02	Included
---	---	----------

OPTIONS (UPCHARGE APPLICABLE)

FINISH

UltraVelour Matte Finish (white only) **BVEL1** \$650

CLEAR ACRYLIC GRAB BARS **BGBG10-XX**

With Chrome **07** or Brushed Nickel **09** inserts \$60

WASTE & OVERFLOW

16" x 35"
BOVER16-XX
INTE-GRATED
BOVERIN-XX

Chrome 07	\$260	\$235
White 01 , Biscuit 02	\$290	\$235
Matte White with UltraVelour finish 32	N/A	\$235
Brushed Nickel 09 , Polished Nickel 10	\$400	\$235
Oil-rubbed Bronze 11	\$400	N/A
Matte Black 19 , Satin Brass 18	N/A	\$355

IF REQUIRED BY CONSTRUCTION CODE

Brass waste & overflow kit* BDRCOB	\$240
Brass waste kit* BDRCB	\$60
16" x 35" Cable driven brass waste & overflow kit BOVERBR	\$240



Don't forget to specify the deck height (1/2" or 1 1/2"). Faucet must be installed on the deck flat surface.

* When ordered with integrated waste & overflow.

** When ordering an AromaFlow, an Integrated waste & overflow is mandatory (Upcharge). Specify the finish of the waste.



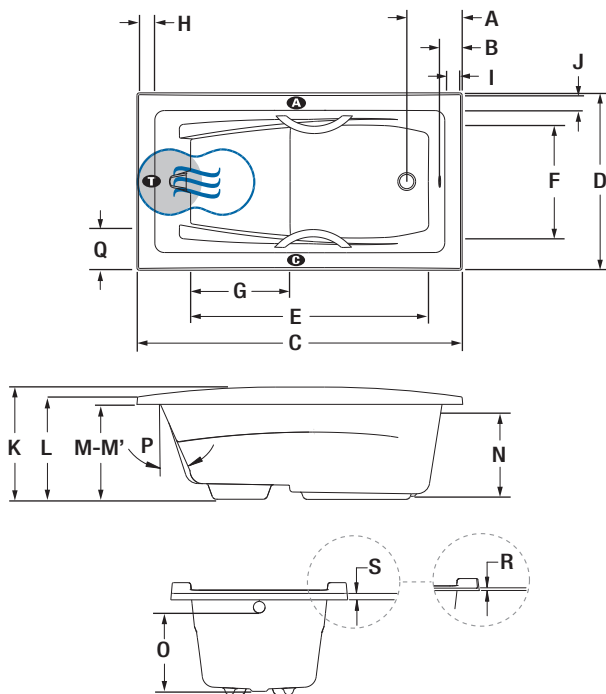
INUA 6636



Comfort Cushion (included)

INSTALLATION

A With the AromaCloud®, you must choose to install the control or the faucet on opposite side.



LETTER	DESCRIPTION	MEASURE
A	Outside edge to center drain	11 1/4"
B	Outside edge to overflow	4 1/2"
C	Total length	66"
D	Total width	36"
E	Bathing well length	48 1/8"
F	Bathing well width at center zone	22 7/8"
G	Raised seat length	20 1/8"
H	Deck width at backrest end	4 1/8"
I	Deck width at drain end	4 1/8"
J	Deck width	4"
K	Height from bottom of bath to top deck	23"
L	Total height to headrest	21"
M	Height from bottom of bath to bottom of standard deck	19 1/2"
M'	Height from bottom of bath to bottom of slim deck	20 1/2"
N	Height from bottom of drain to center of overflow	17 1/8"
O	Maximum water level (Waste & overflow 16" x 35")	15 3/8"
	Maximum water level (Integrated waste & overflow)	16 5/16"
	Maximum water level with AromaFlow	15 3/8"
P	Slope of backrest	24°
Q	Minimum spout reach	8"
R	Slim deck minimum height	1/2"
S	Standard deck minimum height	1 1/2"

- A** AromaCloud® position
- T** Turbine position (TMU)
- G** Control position when factory-installed (Mia® or DOT)
- Indicates heated backrest (TMU)
- ☁ Indicates WarmTouchShell® position (TUB)

TECHNICAL SPECIFICATIONS

Hot water supply required	The hot water supply should be 70% or more of the bath's total water capacity.
Turbine	Access to the pump must be at least 18" x 22". Standard connection is 20 A, 120 V, 60 Hz , dedicated line with a Ground-Fault Circuit Interrupter (GFCI). For any additional option, a second line is needed 15 A, 120 V, 60 Hz , dedicated line with a GFCI. Air vent necessary: 2" x 4" minimum.
Therapeutic Comfort Cushion - INCLUDED	- Made of ultras resistant urethane gel - Extremely comfortable and soft to the touch - Fully waterproof - Remarkably durable - Color available: Grey + Black
Others	- The Geysair® is located on the same side as the heated backrest. It must NOT be relocated . It must be connected to the hot water supply and be accessible (provide access). - The water level may vary when an AromaFlow or an Integrated waste & overflow is installed.

Approx. shipping weight	138 lb
Turbine power	550 W
Air heater	600 W
WARRANTY	
Controls-LED-Geysair*	5 years
Bath & turbine*	20 years

* Some restrictions apply | www.bainultra.com/warranty

Our products must be installed by certified professionals only and according to our Owner's Manual as well as federal, provincial/state and local building codes and regulations (www.bainultra.com/dealers/dealer-documentation-and-catalog).

The specifications shown indicate the outer edge dimension and the inside bathing capacity dimension measured at air jets' height. The manufacturer accepts a 1/4" [0.64 cm] variance. There are variations on each product and specifications are subject to change as we improve upon our product as required. The dimensions needed for site preparation and structure building will differ. BainUltra® assumes no responsibility for preparatory work done prior to the product being on site.