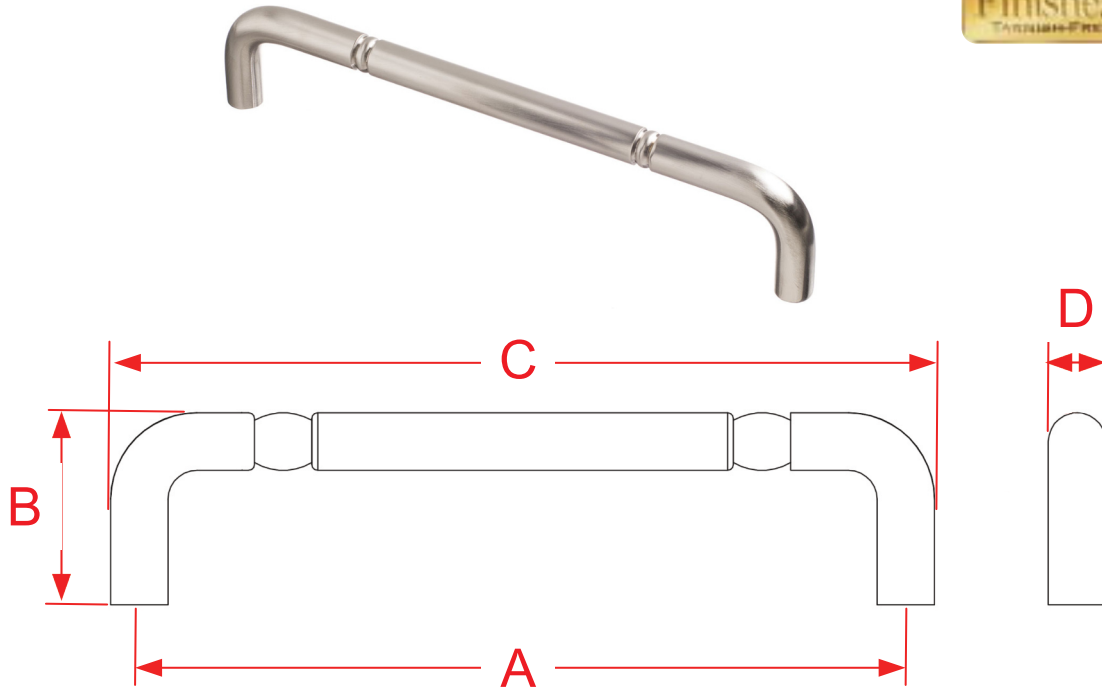


# 232 Series Cabinet Door & Appliance Pulls

Finishes for Life  
TARNISH-FREE GUARANTEE



Part #	A Center to Center	B Projection	C Overall	D Bar Width
232-6	6.0000"	2.5000"	6.7500"	0.7500"
232-8	8.0000"	2.5000"	8.7500"	0.7500"
232-10	10.0000"	2.5000"	10.7500"	0.7500"
232-12	12.0000"	2.5000"	12.7500"	0.7500"
232-18	18.0000"	2.5000"	18.7500"	0.7500"
232-24	24.0000"	2.5000"	24.7500"	0.7500"
232-30	30.0000"	2.5000"	30.7500"	0.7500"
Custom Sizing Available				



Manufacturing Fine Architectural Hardware  
in the USA Since 1927



Copyright 2015  
Colonial Bronze Company  
All rights reserved  
[www.colonialbronze.com](http://www.colonialbronze.com) -  
860.489.9233