

GINGER®

460n Greenway Industrial Drive
Fort Mill SC 29708 gingerco.com

LIMITED WARRANTY

Limited Warranty Ginger warrants to the original consumer residential purchaser ("Original Purchaser") that if an accessory product in its Ginger line of products ("Product") is confirmed upon inspection to be defective in materials or workmanship during the warranty periods described below, Ginger will, at its option, either repair or replace the Product with a similar current model of the Product. If repair or replacement is not commercially practical or cannot be made in a timely manner, then Ginger will provide a refund for the Product.

Warranty Periods and Coverage

Product Finishes ♦ PVD and Polished Chrome (26) finishes on Products other than shower rods are warranted as long as the Original Purchaser owns their home. ♦ All other metal finishes on products other than shower rods are warranted for ten (10) years from date of purchase by the Original Purchaser. ♦ Shower rods, porcelain parts and glass parts have no finish warranty.

Functionality ♦ All Product parts except lights, lotion pump mechanisms, porcelain parts or glass parts are warranted for ten (10) years from date of purchase by the Original Purchaser. ♦ Lights have no functional warranty. ♦ Lotion pump mechanisms are warranted for one (1) year from date of purchase by the Original Purchaser. ♦ Shower rods, porcelain parts and glass parts have no functional warranty.

Exclusions from Coverage

This Warranty does not cover labor charges or associated costs for, or damages occurring during the removal, transportation, return or installation of Products or replacement Products. This Warranty does not cover damage or defects due to normal wear and tear, misuse, abuse, hard water, improper storage, improper handling, improper maintenance*, improper installation** or uses other than normal household usage***.

This Warranty is not transferable.

Limitations on Remedies

In no event will Ginger be liable for incidental or consequential damages (such as labor charges), whether based on breach of express or implied warranty, breach of contract, negligence, strict liability or any other legal theory. Some states do not allow the exclusion or limitation of incidental or consequential damages, so, the above limitation or exclusion may not apply to you. Any implied warranties, including the implied warranties of merchantability and fitness for a particular purpose, are limited to the duration of this written warranty. Some states do not allow limitations on how long an implied warranty may last, so the above limitation may not apply to you.

Warranty Service To obtain service under this Warranty, please contact your Product dealer. If you are unable to locate your dealer, please call 800-842-4872 or access the Ginger website at www.Gingerco.com. Proof of purchase, such as the original purchase order, is required to issue credit to the distributor.

State Remedies This Warranty gives you specific legal rights, and you may have other rights which vary from state to state.

* **Maintenance** Proper maintenance is required to preserve all finishes. Do not use any abrasive cleaners, alcohol, ammonia, detergents, or brass or silver polish on the Products. For complete care requirements and recommendations, please visit our website at www.Gingerco.com.

** **Proper Installation** Products must be installed in accordance with the manufacturer's installation instructions supplied with the Products. You may also call 800-842-4872 for copies of the installation instructions. Many of our installation instructions are also available on our website, www.Gingerco.com.

*** **Commercial Purchasers** Ginger extends the above limited warranty to purchasers of Products for industrial, commercial and business use upon the same terms and conditions and exclusions applicable to residential purchasers, except that the finish and functionality warranty periods are reduced to a period of one (1) year from the date of purchase. *Additionally, with respect to commercial purchasers, all implied warranties, including the implied warranties of merchantability and fitness for a particular purpose are excluded and disclaimed.*

GINGER®

460-n greenway industrial drive
fort mill sc 29708

t 803.547.5786
f 803.547.6353
gingerco.com

GRAB BAR INSTALLATION,
OPERATING & CARE INSTRUCTIONS

INSTRUCCIONES PARA LA INSTALACIÓN
DE LA BARRA/AGARRADERA DE SEGURIDAD

INSTRUCTIONS D'INSTALLATION ET CONSIGNES D'
UTILISATION ET D'ENTRETIEN DE LA BARRE D'APPUI

GRAB BAR INSTALLATION, OPERATING AND CARE INSTRUCTIONS

SAFETY WARNINGS:

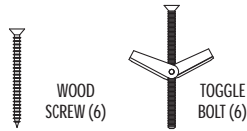
- **DO NOT** install this equipment without first reading and understanding this instruction sheet. If you are unable to understand these Warnings and Instructions, contact a health care professional, dealer or technical person for assistance before attempting to install this equipment - otherwise, injury may occur.
- After ANY adjustments, repair or service and **BEFORE** use, make sure that all attaching hardware is tightened **securely**.
- Grab Bars add security for bath and commode areas if attached as instructed. Location, size and angle of BARS should be determined by a qualified professional to provide optimum safety and function.
- Use **EXTREME** caution on wet tub or floor surfaces.
- Users with limited physical capabilities should be supervised or assisted in bath and commode areas, even when using Grab Bars.
- This Grab Bar can provide support and increase stability for an individual weighing up to **300 pounds**.
- Grab Bars are **NOT** designed to support the total weight of an individual. **Use the BAR for assistance ONLY.**
- Be sure Grab Bars are correctly and securely installed. **NEVER** use Grab Bars if any looseness is noted.

TOOLS REQUIRED:

- 3/8-inch Power Drill
- 1/8-inch Drill Bit (to drill pilot hole for installation of WOOD SCREW into wood wall stud)
- 1/4-inch Carbide Drill Bit (if drilling through ceramic tile when installing into wood wall stud)
- 5/8-inch Drill Bit (if installing TOGGLE BOLTS)
- 5/8-inch Carbide Drill Bit (if drilling through tile and installing TOGGLE BOLTS)
- #2 Phillips Screwdriver
- Safety Glasses
- Stud Finder

PARTS SUPPLIED:

- Six (6) No. 10 x 2 1/2 inch WOOD SCREWS
- Six (6) 1/4-20 x 3 inch TOGGLE BOLTS (to be used if only one end of Grab Bar can be installed in a wood wall stud)



IMPORTANT:

In some homes of modern construction, wall studs will be made of metal rather than wood. The GRAB BAR should be mounted in one of the following combinations:

- BOTH ends of GRAB BAR into WOOD wall studs - PREFERRED and MOST SECURE method for mounting GRAB BAR (see pg. 2)
- BOTH ends of GRAB BAR into METAL wall studs (see pg. 3)
- ONE end of GRAB BAR into a WOOD wall stud, ONE end into WALLBOARD (see pg. 3-4)
- ONE end of GRAB BAR into a METAL wall stud, ONE end into WALLBOARD (see pg. 4)
- ONE end of GRAB BAR into a WOOD wall stud, ONE end into a METAL wall stud (see pg. 5)

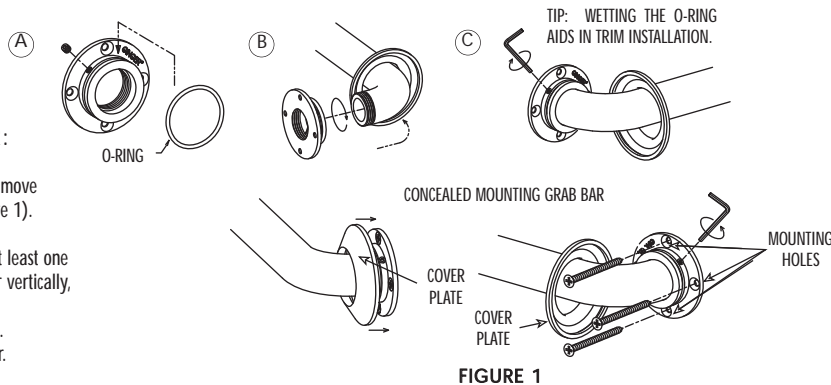
Ginger Grab Bars have been tested to withstand and exceed loads mandated by the Americans with Disabilities Act and ASTM F466. However, it is the responsibility of the architect, builder and installer to ensure that the mounting area is secure and that proper mounting hardware is used.

IF YOU HAVE A PREASSEMBLED GRAB BAR, OMIT THIS STEP.

TO PROTECT THE FINISH OF THE GRAB BAR DURING INSTALLATION, DO NOT REMOVE THE PROTECTIVE PLASTIC UNTIL INSTALLATION IS COMPLETE.

BEFORE INSTALLING GRAB BAR:

1. Remove the Grab Bar and parts from the package. If concealed mounting Grab Bar is used, move cover plates away from mounting holes (see Figure 1).
2. Determine where you want to install Grab Bar.
3. Place Grab Bar on wall at desired position (with at least one end over a wall stud). If mounting horizontally or vertically, check that the Grab Bar is level.
4. With a pencil, mark the hole positions on one end.
5. Repeat Step 4 for the other end of the Grab Bar.
6. Place Grab Bar aside.



Requirements for correct installation of grab bars

⚠ WARNING

GRAB BAR MAY NOT PROVIDE DESIGNED AMOUNT OF SUPPORT UNLESS THESE INSTALLATION INSTRUCTIONS ARE STRICTLY FOLLOWED.

For proper installation, at least one end of Grab Bar **MUST** be positioned over a wall stud. For solid support, at least two (2) of the three (3) SCREWS on the end of the Grab Bar that is positioned over a stud **MUST** go through the wallboard or tile and be tightly secured into the wall stud. Given standard stud sizes, only two (2) of the three (3) SCREWS may screw into the wall stud.

Grab Bar may be installed vertically, horizontally or at an angle, so long as at least two (2) of the three (3) mounting screws on at least one end of the Grab Bar are secured into a wall stud (see Figure 2). Locate the wall studs behind the wall before beginning installation (a stud finder can be obtained from a hardware store).

NOTE: If you are unable to install BOTH ends of the Grab Bar into studs, the end not installed into a stud **MUST** be installed using the TOGGLE BOLTS supplied. **DO NOT USE WALL ANCHORS!**

⚠ WARNING

THE FOLLOWING STEPS REQUIRE DRILLING INTO THE WALL.

When drilling into the wall, exercise care to avoid any electrical wiring or plumbing that may be located behind the wall. Damaged electrical wiring can cause electrical shock and/or fire. Since older homes do not always fall in line with current housing codes and requirements, know where internal wall wiring is located so that no wires will interfere with your installation.

PROPER INSTALLATION IS EXTREMELY IMPORTANT. IF IN DOUBT, INSTALLATION SHOULD BE DONE BY A QUALIFIED PROFESSIONAL.

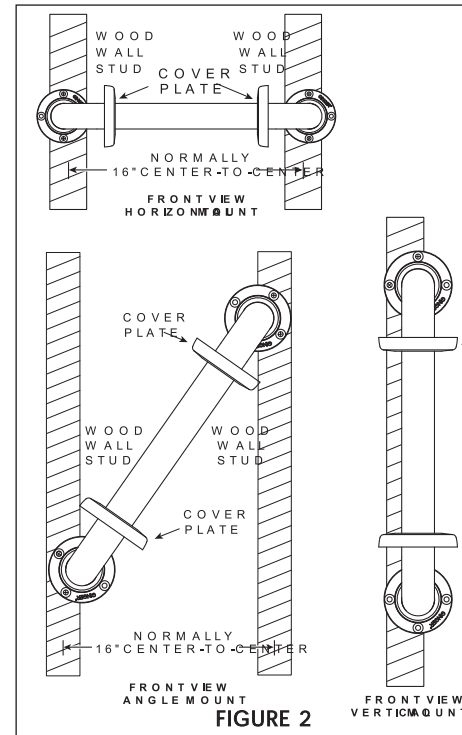
USING GRAB BAR:

1. Read, understand and follow the information in the SAFETY WARNINGS section of this instruction booklet. GINGER shall have no liability for any damage or injury caused by improper installation or use of this Grab Bar.
2. Grasp the Grab Bar when exiting or entering the bathtub or when sitting down or rising from the commode.
3. Use **EXTREME** caution on wet tub or floor surfaces.
4. **DO NOT** put entire weight on Grab Bar. Grab Bar can support up to 300 pounds **ONLY**.
5. **DO NOT** stand, sit or step on Grab Bar. **DO NOT** use Grab Bar as a step or platform to reach area above the tub. Use the BAR for assistance **ONLY**.

CARE AND MAINTENANCE:

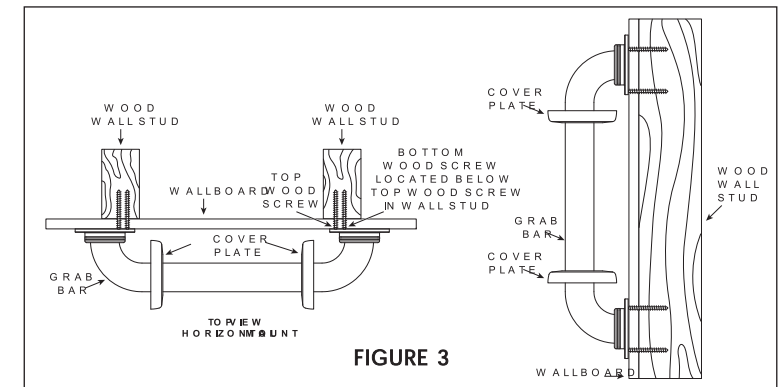
1. To clean, use warm water only with a soft cloth. **NEVER** use abrasive detergents.
2. Periodically inspect the Grab Bar for damage or looseness. **DO NOT** use if any damage or looseness exists. Contact your authorized dealer for assistance.
3. **SAVE THESE INSTRUCTIONS FOR FUTURE REFERENCE.**

BOTH ends of Grab Bar into WOOD wall studs

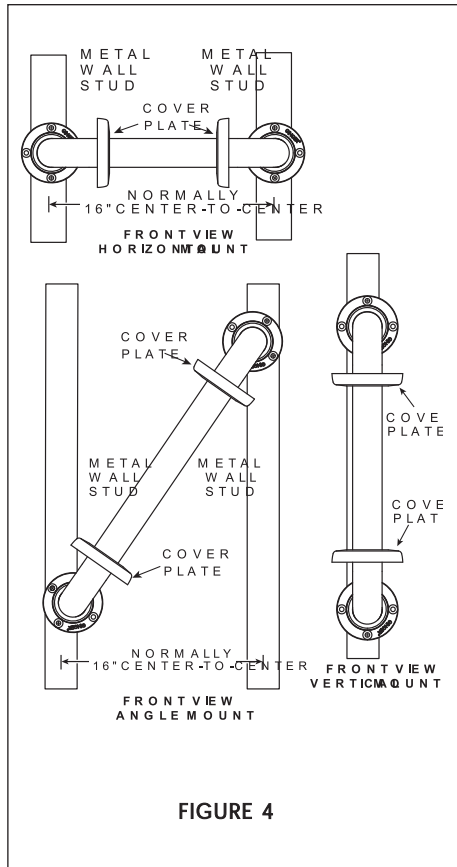


TO INSTALL INTO WOOD WALL STUDS:

1. Put on safety glasses before starting.
2. Use the 3/8-inch power drill and 1/8-inch drill bit to drill all holes into the wall and wood wall studs at the marked positions. Note: *If installing Grab Bar over ceramic tiles, the 1/4-inch carbide drill bit will be needed for drilling through tile to prevent damage to tiles. Once a hole has been drilled through the tile, use the 1/8-inch drill bit to drill a pilot hole in the wood wall stud itself.*
3. Place Grab Bar on wall, aligning mounting holes with the holes in the wall.
4. Insert the WOOD SCREWS into one end of the Grab Bar. Screw into wall and wall stud (HAND TIGHTEN ONLY) (see Figure 3).
5. Repeat Step 4 for opposite end of the Grab Bar.
6. Securely tighten all mounting WOOD SCREWS with a screwdriver.
7. If concealed mounting Grab Bar is used, move cover plates over mounting holes and firmly press against the wall (see Figure 1 on page 1).



BOTH ends of Grab Bar into METAL wall studs



- TO INSTALL INTO METAL WALL STUDS: 1. Put on safety glasses before starting.
- Use the 3/8-inch power drill and 5/8-inch drill bit to drill six (6) holes where marked. **NOTE: If installing Grab Bar over ceramic tiles, the 5/8-inch carbide drill bit will be needed for drilling through tile, in order to prevent damage to tiles. Once a hole has been drilled through the tile, use the 5/8-inch drill bit to drill through the backing support for the tile.**
 - Insert one (1) TOGGLE BOLT through any one of the mounting holes on one end of the Grab Bar. Start a spring nut on the end of the TOGGLE BOLT as shown (see Figure 5), screwing it onto the bolt about three turns. Repeat this step for two (2) TOGGLE BOLTS on that same end of the Grab Bar.
 - Position the end of the Grab Bar with the TOGGLE BOLTS attached so that you can push the spring nuts and butt ends of the TOGGLE BOLTS through the corresponding holes that have been drilled. The spring nuts *must be completely* through the holes in the wall (see Figure 6).
 - Repeat Steps 3 and 4 for the other end of the Grab Bar.
 - Pull the TOGGLE BOLTS on one end of the Grab Bar toward you and finger tighten the BOLTS to be sure that spring nuts have opened fully against the back side of the wall and metal wall studs (see Figure 6). If the spring nuts have not opened fully, loosen the bolts and repeat Step 6.
 - Repeat Step 6 for the other end of the Grab Bar.
 - Lightly tighten the TOGGLE BOLTS. Further tightening will be required in Step 10.
 - If Grab Bar is to be installed horizontally, make sure Grab Bar is level (you may need to jostle the TOGGLE BOLTS on one end or the other to level the bar).
 - Securely tighten all TOGGLE BOLTS with a screwdriver.
 - If concealed mounting Grab Bar is used, move cover plates over mounting holes and firmly press against the wall (see Figure 1 on page 1).

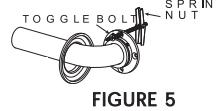


FIGURE 5

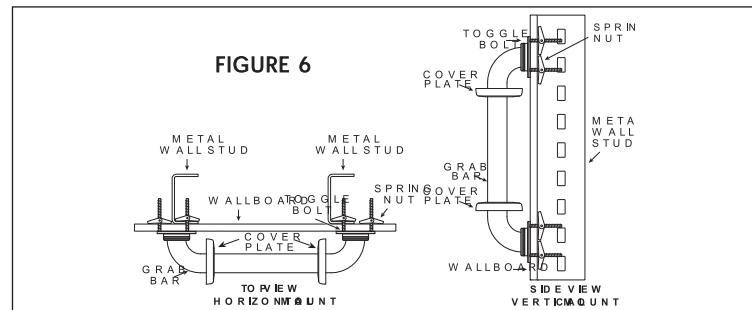


FIGURE 6

ONE end of Grab Bar into a WOOD wall stud, ONE end into WALLBOARD

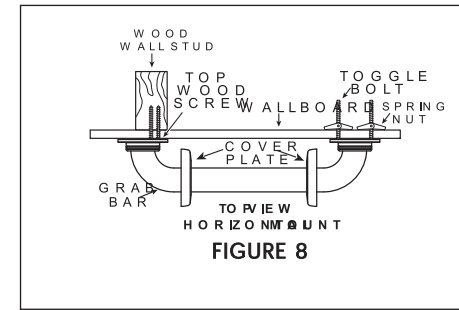


FIGURE 8

- One the other end of the Grab Bar, insert one (1) of the three (3) TOGGLE BOLTS supplied through any one of the mounting holes in the Grab Bar. Start a spring nut on the end of the TOGGLE BOLT as shown (see Figure 9), screwing it onto the bolt about three turns. Repeat this step for the remaining two (2) TOGGLE BOLTS.
- Position the end of the Grab Bar with the TOGGLE BOLTS attached so that you can push the spring nuts and butt ends of the TOGGLE BOLTS through the holes that have been drilled. The spring nuts *must be completely* through the holes in the wall (see Figure 8).
- Pull the TOGGLE BOLTS toward you and finger tighten the bolts to be sure that spring nuts have opened fully against the back side of the wall (see Figure 8). If the spring nuts have not opened fully, loosen the BOLTS and repeat Step 8.
- Lightly tighten the TOGGLE BOLTS. Further tightening will be required in Step 12.
- Repeat Step 5 for the remaining two (2) WOOD SCREWS going into the wood wall stud.
- If Grab Bar is to be installed horizontally, make sure Grab Bar is level (you may need to jostle the TOGGLE BOLT side to level the bar).
- Securely tighten all mounting WOOD SCREWS and toggle bolts with a screwdriver.
- If concealed mounting Grab Bar is used, move cover plates over mounting holes and firmly press against the wall (see Figure 1 on page 1).



FIGURE 9

ONE end of Grab Bar into a METAL wall stud, ONE end into WALLBOARD

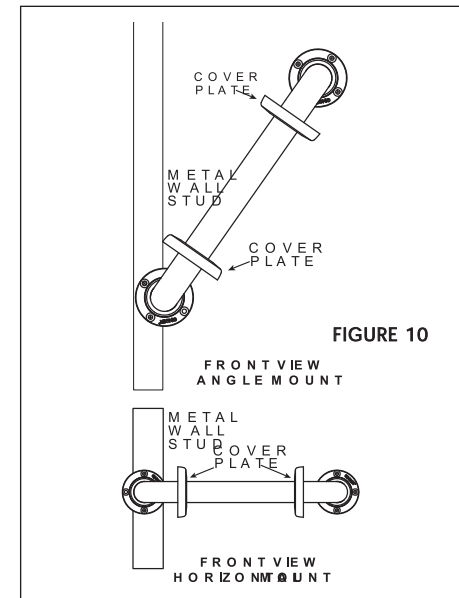


FIGURE 10

TO INSTALL INTO METAL WALL STUDS AND WALLBOARD:

- Put on safety glasses before starting.
- Use the 3/8-inch power drill and 5/8-inch drill bit to drill six (6) holes where marked. **NOTE: If installing Grab Bar over ceramic tiles, the 5/8-inch carbide drill bit will be needed for drilling through tile, in order to prevent damage to tiles. Once a hole has been drilled through the tile, use the 5/8-inch drill bit to drill through the backing support for the tile.**
- Insert one (1) TOGGLE BOLT through any one of the mounting holes on one end of the Grab Bar. Start a spring nut on the end of the TOGGLE BOLT as shown (see Figure 12), screwing it onto the bolt about three turns. Repeat this step for the remaining two (2) TOGGLE BOLTS on that same end of the Grab Bar.
- Position the end of the Grab Bar with the TOGGLE BOLTS attached so that you can push the spring nuts and butt ends of the TOGGLE BOLTS through the corresponding holes that have been drilled. The spring nuts *must be completely* through the holes in the wall (see Figure 11).
- Repeat Steps 3 and 4 for the other end of the Grab Bar.
- Pull the TOGGLE BOLTS on one end of the Grab Bar toward you and finger tighten the bolts to be sure that spring nuts have opened fully against the back side of the wall and metal wall studs (see Figure 11). If the spring nuts have not opened fully, loosen the bolts and repeat Step 6.
- Repeat Step 6 for the other end of the Grab Bar.
- Lightly tighten the TOGGLE BOLTS. Further tightening will be required in Step 10.
- If Grab Bar is to be installed horizontally, make sure Grab Bar is level (you may need to jostle the TOGGLE BOLTS on one end or the other to level the bar).
- Securely tighten all TOGGLE BOLTS with a screwdriver.
- If concealed mounting Grab Bar is used, move cover plates over mounting holes and firmly press against the wall (see Figure 1 on page 1).

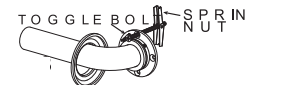


FIGURE 12

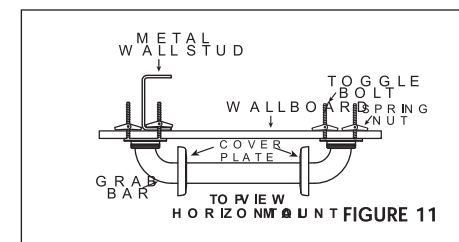


FIGURE 11

ONE end of Grab Bar into a WOOD wall stud, ONE end into WALLBOARD

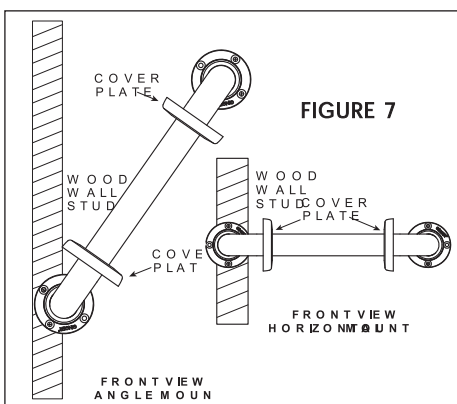


FIGURE 7

TO INSTALL INTO A WOOD WALL STUD AND WALLBOARD:

- Put on safety glasses before starting.
- First start on the end of Grab Bar that will be installed into a wood wall stud. Use the 3/8-inch power drill and 1/8-inch drill bit to drill all holes on the wood wall stud end into the wall and wood wall stud at the marked positions. **NOTE: If installing Grab Bar over ceramic tiles, the 5/8-inch carbide drill bit will be needed for drilling through tile, in order to prevent damage to tiles. Once a hole has been drilled through the tile, use the 1/8-inch drill bit to drill a pilot hole into the wood wall stud itself.**
- On the end that will be mounted into wallboard, use the 3/8-inch power drill and 5/8-inch drill bit to drill three (3) holes where marked. **NOTE: If installing Grab Bar over ceramic tiles, the 5/8-inch carbide drill bit will be needed for drilling through tile, in order to prevent damage to tiles. Once a hole has been drilled through the tile, use the 5/8-inch drill bit to drill through the backing support for the tile.**
- Place Grab Bar on wall aligning mounting holes with the holes in the wall.
- Insert one (1) WOOD SCREW into the end of the Grab Bar that will be installed into the wood wall stud. Screw into wall and wall stud (HAND TIGHTEN ONLY) (see Figure 8).

ONE end of Grab Bar into a WOOD wall stud, ONE end into METAL

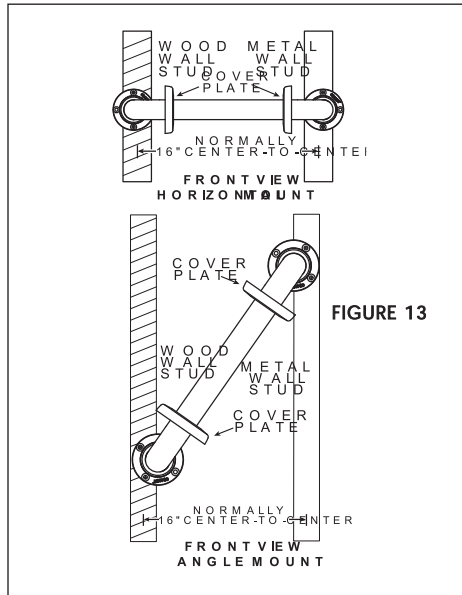


FIGURE 13

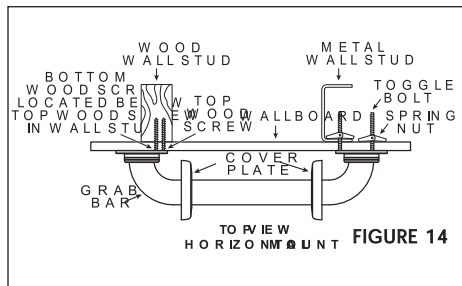


FIGURE 14

TO INSTALL INTO A WOOD WALL STUD AND METAL WALL STUD:

- Put on safety glasses before starting.
- First start on the end of Grab Bar that will be installed into a wood wall stud. Use the 3/8-inch power drill and 1/8-inch drill bit to drill all holes on the wood wall stud end into the wall and wood wall stud at the marked positions.
NOTE: *If installing Grab Bar over ceramic tiles, the 1/4-inch carbide drill bit will be needed for drilling through tile, in order to prevent damage to tiles. Once a hole has been drilled through the tile, use the 1/8-inch drill bit to drill a pilot hole into the wood wall stud itself.*
- On the end that will be installed into metal wall stud, use the 3/8-inch power drill and 5/8-inch drill bit to drill three (3) holes where marked. NOTE: *If installing Grab Bar over ceramic tiles, the 7/8-inch carbide drill bit will be needed for drilling through tile, in order to prevent damage to tiles. Once a hole has been drilled through the tile, use the 5/8-inch drill bit to drill through the backing support for the tile.*
- Place Grab Bar on wall aligning mounting holes with the holes in the wall.
- Insert one (1) WOOD SCREW into the end of the Grab Bar that will be installed into the wood wall stud. Screw into wall and wall stud (HAND TIGHTEN ONLY) (see Figure 14).
- On the other end of the Grab Bar, insert one (1) of the three (3) TOGGLE BOLTS supplied through any one of the mounting holes in the Grab Bar. Start a spring nut on the end of the TOGGLE BOLT as shown (see Figure 15), screwing it onto the bolt about three turns. Repeat this step for the remaining two (2) TOGGLE BOLTS.
- Position the end of the Grab Bar with the TOGGLE BOLTS attached so that you can push the spring nuts and butt ends of the TOGGLE BOLTS through the holes that have been drilled. The spring nuts must be completely through the holes in the wall (see Figure 14).
- Pull the TOGGLE BOLTS toward you and finger tighten the BOLTS to be sure that spring nuts have opened fully against the back side of the wall and metal wall stud (see Figure 14). If the spring nuts have not opened fully, loosen the bolts and repeat Step 8.
- Lightly tighten the TOGGLE BOLTS. Further tightening will be required in Step 12.
- Repeat Step 5 for the remaining two (2) WOOD SCREWS going into the wood wall stud.
- If Grab Bar is to be installed horizontally, make sure Grab Bar is level (you may need to jostle the TOGGLE BOLT end to level the bar).
- Securely tighten all mounting WOOD SCREWS and toggle bolts with a screwdriver.
- If concealed mounting Grab Bar is used, move cover plates over mounting holes and firmly press against the wall (see Figure 1 on page 1).



FIGURE 15

GINGER[®]
460n Greenway Industrial Drive
Fort Mill SC 29708 gingerco.com

LIMITED WARRANTY

Limited Warranty Ginger warrants to the original consumer residential purchaser ("Original Purchaser") that if an accessory product in its Ginger line of products ("Product") is confirmed upon inspection to be defective in materials or workmanship during the warranty periods described below, Ginger will, at its option, either repair or replace the Product with a similar current model of the Product. If repair or replacement is not commercially practical or cannot be made in a timely manner, then Ginger will provide a refund for the Product.

Warranty Periods and Coverage

Product Finishes ♦ PVD and Polished Chrome (26) finishes on Products other than shower rods are warranted as long as the Original Purchaser owns their home. ♦ All other metal finishes on products other than shower rods are warranted for ten (10) years from date of purchase by the Original Purchaser. ♦ Shower rods, porcelain parts and glass parts have no finish warranty.

Functionality ♦ All Product parts except lights, lotion pump mechanisms, porcelain parts or glass parts are warranted for ten (10) years from date of purchase by the Original Purchaser. ♦ Lights have no functional warranty. ♦ Lotion pump mechanisms are warranted for one (1) year from date of purchase by the Original Purchaser. ♦ Shower rods, porcelain parts and glass parts have no functional warranty.

Exclusions from Coverage

This Warranty does not cover labor charges or associated costs for, or damages occurring during the removal, transportation, return or installation of Products or replacement Products. This Warranty does not cover damage or defects due to normal wear and tear, misuse, abuse, hard water, improper storage, improper handling, improper maintenance, improper installation** or uses other than normal household usage***.*

This Warranty is not transferable.

Limitations on Remedies

In no event will Ginger be liable for incidental or consequential damages (such as labor charges), whether based on breach of express or implied warranty, breach of contract, negligence, strict liability or any other legal theory. Some states do not allow the exclusion or limitation of incidental or consequential damages, so, the above limitation or exclusion may not apply to you. Any implied warranties, including the implied warranties of merchantability and fitness for a particular purpose, are limited to the duration of this written warranty. Some states do not allow limitations on how long an implied warranty may last, so the above limitation may not apply to you.

Warranty Service To obtain service under this Warranty, please contact your Product dealer. If you are unable to locate your dealer, please call 800-842-4872 or access the Ginger website at www.Gingerco.com. Proof of purchase, such as the original purchase order, is required to issue credit to the distributor.

State Remedies This Warranty gives you specific legal rights, and you may have other rights which vary from state to state.

* **Maintenance** Proper maintenance is required to preserve all finishes. Do not use any abrasive cleaners, alcohol, ammonia, detergents, or brass or silver polish on the Products. For complete care requirements and recommendations, please visit our website at www.Gingerco.com.

** **Proper Installation** Products must be installed in accordance with the manufacturer's installation instructions supplied with the Products. You may also call 800-842-4872 for copies of the installation instructions. Many of our installation instructions are also available on our website, www.Gingerco.com.

*** **Commercial Purchasers** Ginger extends the above limited warranty to purchasers of Products for industrial, commercial and business use upon the same terms and conditions and exclusions applicable to residential purchasers, except that the finish and functionality warranty periods are reduced to a period of one (1) year from the date of purchase. *Additionally, with respect to commercial purchasers, all implied warranties, including the implied warranties of merchantability and fitness for a particular purpose are excluded and disclaimed.*

Instrucciones para la Instalación de la Barra/Agarradera de Seguridad

AVISOS DE SEGURIDAD:

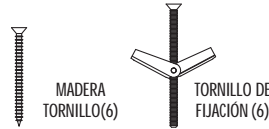
- NO instale este equipo sin primero leer y entender esta hoja de instrucciones. Si usted no puede entender estos Avisos e Instrucciones, comuníquese con un profesional para el cuidado de la salud, un distribuidor o técnico para obtener asistencia antes de tratar de instalar este equipo - de lo contrario, puede resultar en una lesión.
- Después de cualquier ajuste, reparación y ANTES del uso, asegúrese que todo el herraje para la fijación esté fijamente apretado.
- Las Barras de Seguridad le dan seguridad a las áreas de baño e inodoro si se han fijado como se han dado en las instrucciones.
- La ubicación, el tamaño, y el ángulo de las BARRAS se deben determinar por un profesional calificado para proporcionarle una seguridad y función óptima.
- Use EXTREMA precaución en las superficies mojadas de la bañera y pisos.
- Los usuarios con capacidades físicas limitadas deben supervisarse en las áreas de la bañera y del inodoro, aun cuando usen las Barras de Seguridad.
- Esta Barra de Seguridad puede proporcionar apoyo e incrementar estabilidad a cualquier individuo que pese hasta 300 libras.
- Las Barras de Seguridad NO están diseñadas para soportar el peso total de un individuo. SÓLO use la BARRA para asistencia.
- Asegúrese que las Barras de Seguridad están correcta y fijamente instaladas. NUNCA use las Barras de Seguridad si la nota algo suelta.

HERRAMIENTAS REQUERIDAS:

- Taladro Automático de 3/8 pulgadas
- Fresa del Taladro de 1/8 de pulgada (para perforar el agujero piloto PARA LA INSTALACIÓN DEL TORNILLO DE MADERA en la viga de madera)
- Fresa de taladro Carburo de 1/4 de pulgada (si se instala a través de la losa de cerámica cuando se instala en una viga de madera)
- Fresa de taladro Carburo de 5/8 de pulgada (si se instala a través de la losa instalando do TORNILLOS DE FIJACIÓN)
- Destornillador Phillips #2
- Anteojos de Seguridad
- Localizador de vigas o entramados

PIEZAS SUMINISTRADAS:

- Seis (6) TORNILLOS DE MADERA No. 10 x 2 1/2 pulgadas
- Seis (6) TORNILLOS DE FIJACIÓN de 1/4-20 x 3 pulgadas (para usarse solo si un extremo de la Barra de Seguridad se puede instalar en una viga de madera)



IMPORTANTE:

En algunas casas de construcción moderna, las vigas de pared son de metal en vez de madera. La Barra de Seguridad debe montarse en una de las siguientes combinaciones:

- AMBOS extremos de la BARRA DE SEGURIDAD deben estar instalados en una viga de MADERA en la pared - es el método de INSTALACIÓN PREFERIDA Y MAS SEGURO para instalar la BARRA DE SEGURIDAD (vea la página 2)
- AMBOS extremos de la BARRA DE SEGURIDAD en las vigas de METAL (vea la página 3)
- UN extremo de la BARRA DE SEGURIDAD en una viga de MADERA, UN extremo en el cartón yeso DE LA PARED (vea las páginas 3-4)
- UN extremo de la BARRA DE SEGURIDAD en la viga de METAL, UN extremo en el cartón yeso DE LA PARED (vea la página 4)
- UN extremo de la BARRA DE SEGURIDAD en la viga de MADERA, UN extremo en la viga de METAL (vea la página 5)

Las Barras de Seguridad de Ginger han sido probadas para aguantar y exceder los pesos ordenados por el Acto para los Americanos con Incapacidades ASTM F466. Sin embargo, es la responsabilidad del arquitecto, constructor e instalador de asegurar que el área donde se va a hacer la instalación esté segura y que se usen las herramientas apropiadas.

SI TIENE UNA BARRA DE SEGURIDAD PRE-ENSAMBLADA, OMITA ESTE PASO.

PARA PROTEGER EL ACABADO DE LA BARRA DE SEGURIDAD DURANTE LA INSTALACIÓN, NO quite el PLÁSTICO PROTECTOR HASTA QUE HAYA COMPLETADO LA INSTALACIÓN.

ANTES DE INSTALAR LA BARRA DE SEGURIDAD:

1. Retire la Barra de Seguridad y las piezas del paquete. Si va a usar una Barra para Agarrarse oculta, mueva las chapas de cubierta de los agujeros para la instalación (vea la figure 1)
2. Determine donde desea instalar la Barra de Seguridad.
3. Coloque la Barra de Seguridad en la pared en la posición deseada (por lo menos con un extremo sobre la viga de la pared). Si se está instalando horizontal o verticalmente, fíjese si la Barra de Seguridad está nivelada.
4. Con un lápiz, marque las posiciones para los agujeros en un extremo.
5. Repita el Paso 4 en el otro extremo de la Barra de Seguridad.
6. Coloque la Barra de Seguridad a un lado.

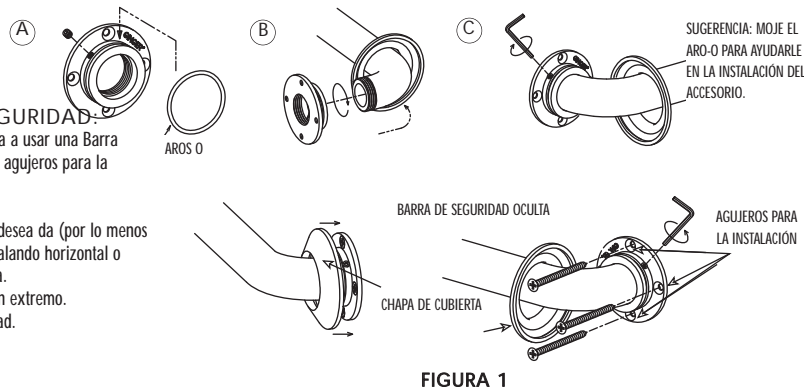


FIGURA 1

REQUISITOS para la instalación correcta de las Barras de Seguridad

⚠ AVISO

LA BARRA / AGARRADERA DE SEGURIDAD PUEDE QUE NO LE PROPORCIONE EL SOPORTE DISEÑADO A MENOS QUE HAYA SEGUIDO AL PIE DE LA LETRA ESTAS INSTRUCCIONES PARA SU INSTALACIÓN.

Para obtener una instalación apropiada, por lo menos un extremo de la Barra de Seguridad debe estar colocado sobre una viga de pared. Para obtener un soporte sólido, por lo menos dos (2) de los tres (3) TORNILLOS en el extremo de la Barra de Seguridad colocada sobre la viga DEBE pasar el cartón yeso para paredes o la losa y estar bien fija dentro de la viga de la pared. Tomando en consideración los tamaños de las vigas, sólo dos (2) de los tres (3) TORNILLOS pueden atornillarse dentro de la viga de la pared.

La Barra de Seguridad puede instalarse vertical, horizontal o en ángulo, con tal que por lo menos dos (2) de los tres (3) tornillos para la instalación por lo menos en un extremo de la Barra de Seguridad estén fijos en la viga de la pared (vea la Figura 2).

Ubique las vigas de la pared detrás de la pared antes de comenzar la instalación (un localizador de vigas o entramados se puede conseguir en la ferretería).
NOTA: si no puede instalar AMBOS extremos de la Barra de Seguridad en las vigas, el extremo no instalado en una viga DEBE instalarse usando los TORNILLOS DE FIJACIÓN incluidos.
¡NO USE LAS ANCLAS PARA PAREDES!

⚠ AVISO

LOS SIGUIENTES PASOS REQUIEREN PERFORACIÓN EN LA PARED.

Cuando perfore en la pared, tenga cuidado para evitar contacto con cualquier alambrado eléctrico o plomería detrás de la pared. El daño al alambrado eléctrico puede causar choque eléctrico y/o fuego. Ya que las casas más viejas no siempre siguen los códigos actuales de electricidad ni los requisitos, conozca donde están ubicados los alambres internos para que ningún alambre interfiera con su instalación.

LA APROPIADA INSTALACIÓN ES DE SUMA IMPORTANCIA, SI TIENE DUDAS, LA INSTALACIÓN DEBE EFECTUARLA UN PROFESIONAL CALIFICADO.

USANDO LA BARRA/AGARRADERA DE SEGURIDAD:

1. Lea, comprenda y siga la información en la sección de las ADVERTENCIAS DE SEGURIDAD en este folleto instructivo. GINGER no se responsabiliza por cualquier daño o lesión como resultado de la instalación o el uso inapropiado de la Barra/agarradera de Seguridad
2. Agarre la Barra de Seguridad cuando sale o entra de la bañera o cuando se sienta o levanta del inodoro.
3. Use precaución EXTREMA en la bañera o las superficies mojadas del piso.
4. NO ponga todo su peso en la Agarradera de Seguridad. La agarradera de Seguridad puede aguantar hasta 300 libras SÓLAMENTE.
5. NO se pare, se siente o pise la Barra / Agarradera de Seguridad. NO use la Barra de Seguridad como escalón o plataforma para alcanzar el área por encima de la bañera. Use la BARRA SÓLO como asistencia.

CUIDADO Y MANTENIMIENTO:

1. Para limpiar, solo use agua tibia y un trapo suave. NUNCA use detergentes abrasivos.
2. Periódicamente inspeccione si la Agarradera de Seguridad tiene algún daño o si está desprendida. NO la use si tiene algún daño o si la siente floja. Comuníquese con su distribuidor autorizado para obtener asistencia.
3. GUARDE ESTAS INSTRUCCIONES PARA REFERENCIA FUTURA.

Para instalar AMBOS extremos de la Barra/Agarradera en la viga de MADERA de la pared

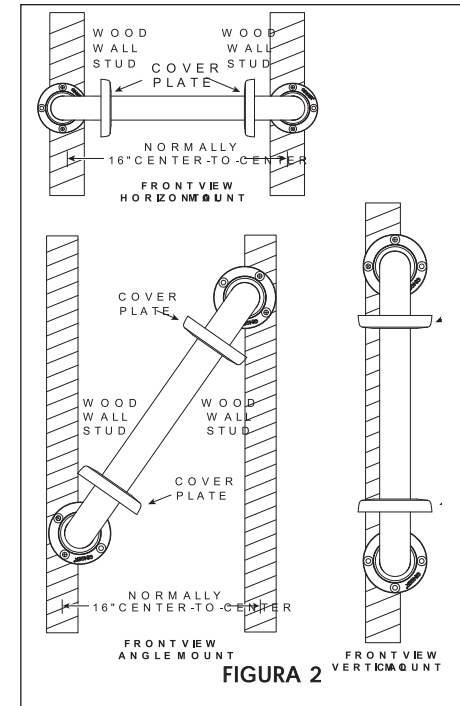


FIGURA 2

PARA INSTALAR EN UNA VIGA DE MADERA DE PARED:

1. Póngase los anteojos de seguridad antes de comenzar.
 2. Use el taladro automático manual de 3/8 de pulgada con una fresa de 5/8 de pulgada para perforar los agujeros en la pared y en las vigas de madera donde está marcado.
- NOTA: Si está instalando una Barra / Agarradera de Seguridad sobre losas de cerámica, requerirá la fresa con punta de carburo de 1/4 de pulgada de la perforadora para perforar a través de la losa y prevenir dañar las losas. Una vez que ha perforado el agujero en la losa, use la fresa con punta de carburo de 1/8 de pulgada para perforar un agujero piloto en la madera y en la viga.
3. Coloque la Barra de Seguridad en la pared, alineando los agujeros para la instalación con los de la pared.
 4. Introduzca los TORNILLOS DE MADERA en un extremo de la Barra de Seguridad. Atornillelo en la pared y en la viga (APRIETE A MANO SOLAMENTE) (vea la Figura 3).
 5. Repita el Paso 4 en el extremo opuesto de la Barra de Seguridad.
 6. Apriete fijamente todos los TORNILLOS DE MADERA con un destornillador.
 7. Si está instalando una Barra de Seguridad oculta, mueva las chapas de cubierta sobre los agujeros para la instalación y oprima firmemente contra la pared (vea la Figura 1 en la Página 1)

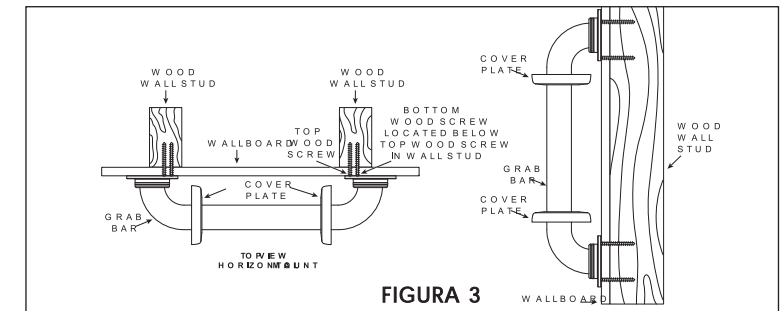


FIGURA 3

AMBOS extremos de la Barra / Agarradera de Seguridad en la viga de METAL de la pared

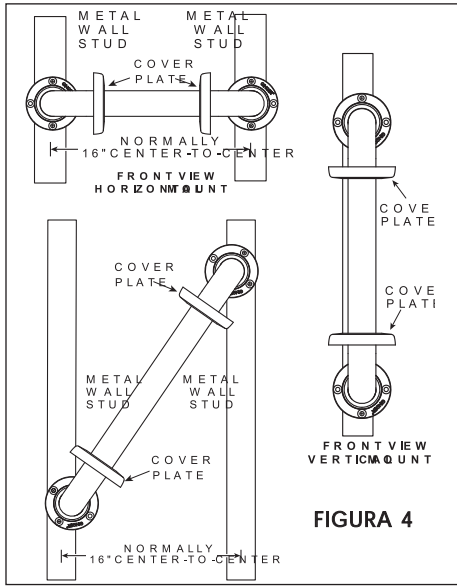


FIGURA 4

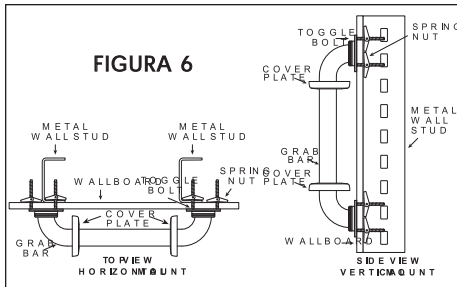


FIGURA 6

UN extremo de la Barra de Seguridad en la viga de MADERA y el otro extremo en el CARTÓN YESO.

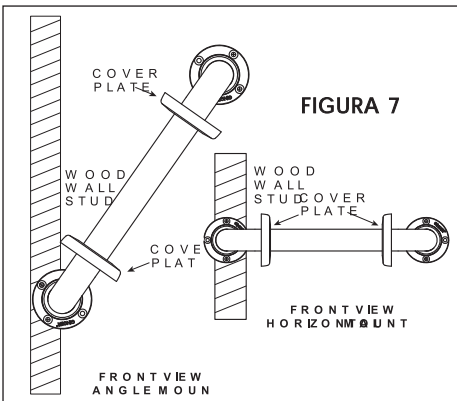


FIGURA 7

PARA INSTALAR EN LAS VIGAS DE METAL EN LA PARED:

1. Póngase los anteojos de seguridad antes de comenzar.
2. Use el taladro automático de 3/8 pulgadas con una fresa de 5/8 pulgadas para perforar seis (6) agujeros donde están marcados.
NOTA: Al instalar una Barra de Seguridad sobre losas de cerámica, requerirá la fresa con punta de carburo de 5/8 de pulgada del taladro para perforar a través de la losa, para prevenir dañar las losas. Una vez que haya taladrado el agujero en la losa, use la fresa con punta de carburo de 5/8 de pulgada para perforar a través del respaldo de soporte de la losa.
3. Introduzca un (1) TORNILLO FIADOR a través de cualquiera de los agujeros para la instalación en uno de los extremos de la Barra de Seguridad. Comience con la tuerca de resorte en el extremo del TORNILLO DE FIJACIÓN como se muestra (vea la Figura 5), atornillándolo en la tuerca unas tres vueltas. Repita este paso en dos (2) TORNILLOS DE FIJACIÓN en ese mismo extremo de la Barra de Seguridad.
4. Coloque el extremo de la Barra de Seguridad con los TORNILLOS DE FIJACIÓN adjuntos para que puede empujar las tuercas de resorte y los topes en los extremos de los TORNILLOS DE FIJACIÓN por los agujeros taladrados correspondientes. Las tuercas de resorte deben pasar totalmente por los agujeros en la pared (vea la Figura 6).
5. Repita los Pasos 3 y 4 en el otro extremo de la Barra de Seguridad.
6. Hale los TORNILLOS DE FIJACIÓN hacia usted y apriete con el dedo los TORNILLOS para asegurarse que las tuercas de resorte se han abierto completamente contra el dorso de la pared y la viga de metal de la pared (vea la Figura 6). Si las tuercas de resorte no se han abierto completamente, afloje los tornillos y repita el Paso 6.
7. Repita el Paso 6 en el otro extremo de la Barra de Seguridad.
8. Apriete suavemente los TORNILLOS DE FIJACIÓN. Tendrá que apretarlos más en el Paso 10.
9. Si va a instalar la Barra de Seguridad horizontalmente, asegúrese que la Barra esté nivelada (pueda que tenga que empujar el extremo con el TORNILLO DE FIJACIÓN para nivelar la barra).
10. Apriete fijamente todos los TORNILLOS DE FIJACIÓN con un destornillador.
11. Si usa una Barra de Seguridad oculta, mueva las chapas de cubierta sobre los agujeros y firmemente presione contra la pared (vea la Figura 1 en la página 1)

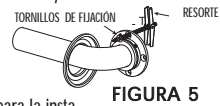


FIGURA 5

UN extremo de la Barra de Seguridad en la viga de MADERA de la pared. El otro extremo en el CARTÓN YESO.

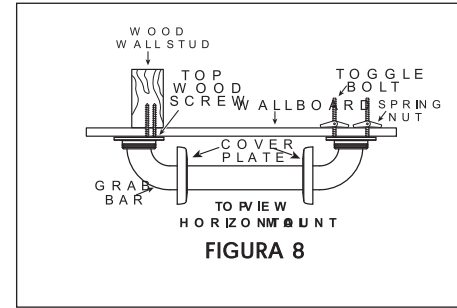


FIGURA 8

6. En el otro extremo de la Barra de Seguridad, introduzca uno (1) de los tres (3) TORNILLOS DE FIJACIÓN incluidos, por cualquiera de los agujeros de instalación en la Barra de Seguridad. Comience con la tuerca de resorte en el extremo del TORNILLO DE FIJACIÓN como se muestra (vea la Figura 9), atornillándolo en el tornillo unas tres vueltas. Repita este paso con los dos (2) TORNILLOS DE FIJACIÓN restantes.
7. Coloque el extremo de la Barra de Seguridad con los TORNILLOS DE FIJACIÓN adjuntos de manera que pueda oprimir las tuercas de resorte y los topes en los extremos de los TORNILLOS DE FIJACIÓN por los agujeros perforados. Las tuercas de resorte deben pasar totalmente por los agujeros en la pared. (vea la Figura 8).
8. Hale los TORNILLOS DE FIJACIÓN hacia usted y apriete con el dedo los TORNILLOS para asegurarse que las tuercas de resorte se han abierto completamente contra el dorso de la pared y la viga de metal de la pared (vea la Figura 8). Si las tuercas de resorte no se han abierto completamente, afloje los tornillos y repita el Paso 12.
9. Apriete suavemente los TORNILLOS DE FIJACIÓN. Tendrá que apretarlos más en el Paso 12.
10. Repita el Paso 5 con los dos (2) TORNILLOS DE MADERA restantes introduciéndolos en la viga de madera de la pared.
11. Si va a instalar la Barra de Seguridad horizontalmente, asegúrese que la Barra esté nivelada (pueda que tenga que empujar el extremo con el TORNILLO DE FIJACIÓN para nivelar la barra).
12. Apriete fijamente todos los tornillos de instalación de MADERA y los TORNILLOS DE FIJACIÓN con un destornillador.
13. Si usa una Barra de Seguridad oculta, mueva las chapas de cubierta sobre los agujeros y firmemente presione contra la pared (vea la Figura 1 en la página 1).

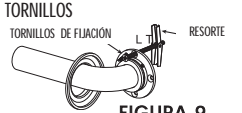


FIGURA 9

Instalación de Un extremo de la Barra de Seguridad en las vigas de METAL de la pared, UN extremo en el cartón yeso.

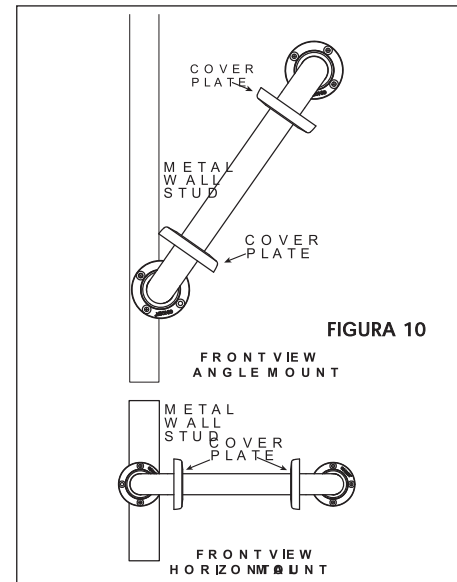


FIGURA 10

- PARA INSTALAR EN UNA VIGA DE METAL Y CARTÓN YESO:
1. Póngase los anteojos de seguridad antes de comenzar.
 2. Use el taladro automático de 3/8 pulgadas con una fresa de 5/8 pulgadas para perforar seis (6) agujeros donde están marcados.
NOTA: al instalar una Barra de Seguridad sobre losas de cerámica, requerirá la fresa con punta de carburo de 5/8 de pulgada del taladro para perforar a través de la losa, para prevenir dañar las losas. Una vez que haya taladrado el agujero en la losa, use la fresa con punta de carburo de 5/8 de pulgada para perforar a través del soporte de la losa.
 3. Introduzca un (1) TORNILLO FIADOR a través de cualquiera de los agujeros para la instalación en uno de los extremos de la Barra de Seguridad. Comience con la tuerca de resorte en el extremo del TORNILLO DE FIJACIÓN como se muestra (vea la Figura 12), atornillándolo en la tuerca unas tres vueltas. Repita este paso en dos (2) TORNILLOS DE FIJACIÓN en ese mismo extremo de la Barra de Seguridad.
 4. Coloque el extremo de la Barra de Seguridad con los TORNILLOS DE FIJACIÓN adjuntos de manera que pueda oprimir las tuercas de resorte y los topes en los extremos de los TORNILLOS DE FIJACIÓN por los agujeros perforados correspondientes. Las tuercas de resorte deben pasar totalmente por los agujeros en la pared. (vea la Figura 11).
 5. Repita los Pasos 3 y 4 en el otro extremo de la Barra de Seguridad.
 6. Hale los TORNILLOS DE FIJACIÓN hacia usted y apriete con el dedo los TORNILLOS para asegurarse que las tuercas de resorte se han abierto completamente contra el dorso de la pared y las vigas de metal de la pared (vea la Figura 11). Si las tuercas de resorte no se han abierto completamente, afloje los tornillos y repita el Paso 6.
 7. Repita el Paso 6 en el otro extremo de la Barra de Seguridad.
 8. Apriete suavemente los TORNILLOS DE FIJACIÓN. Tendrá que apretarlos más en el Paso 10.
 9. Si va a instalar la Barra de Seguridad horizontalmente, asegúrese que la Barra esté nivelada (pueda que tenga que empujar el extremo con el TORNILLO DE FIJACIÓN para nivelar la barra).
 10. Apriete fijamente todos los TORNILLOS DE FIJACIÓN con un destornillador.
 11. Si usa una Barra de Seguridad oculta, mueva las chapas de cubierta sobre los agujeros y firmemente presione contra la pared (vea la Figura 1 en la página 1).

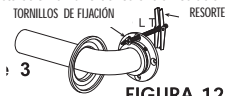


FIGURA 12

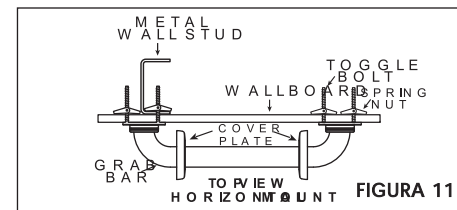
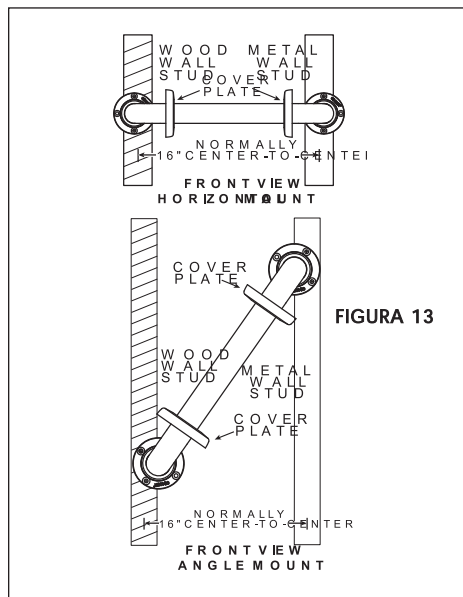


FIGURA 11

A INSTALAR EN LA VIGA DE MADERA DE LA PARED UN EXTREMO EN EL CARTÓN YESO:

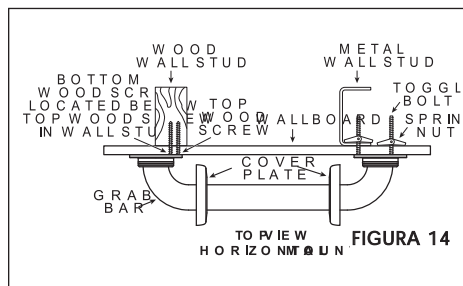
1. Colóquese sus anteojos de seguridad antes de comenzar.
2. Primero comience en el extremo de la Barra de Seguridad que se va a instalar en la viga de madera de la pared. Use el taladro mecánico de 3/8 pulgada y la fresa de 1/8 pulgadas para perforar todos los agujeros en el extremo de la viga de madera de la pared y en la viga de madera en los sitios marcados. *NOTA: Si va a instalar la Barra de Seguridad en losas de cerámica, requerirá una fresa con punta de carburo de 1/4 de pulgada para perforar en la losa y prevenir dañarla. Una vez que haya taladrado un agujero en la losa, use la fresa de 1/8 pulgada para perforar un agujero piloto en el propio entramado de madera de la pared.*
3. En el extremo que se va a instalar en la viga de metal de la pared, use un taladro mecánico manual de 3/8 de pulgada una fresa de 5/8 pulgadas para perforar tres (3) agujeros donde está marcado. *NOTA: Si va a instalar la Barra de Seguridad en losas de cerámica, requerirá una fresa con punta de carburo de 7/8 de pulgada para perforar en la losa y prevenir dañarla. Una vez que haya taladrado un agujero en la losa, use la fresa de 5/8 de pulgada para perforar a través del respaldo de soporte de la losa.*
4. Coloque la Barra de Seguridad en los agujeros de instalación emparejados con los agujeros en la pared.
5. Introduzca un (1) TORNILLO DE MADERA en el extremo de la Barra de Seguridad que se instalará en la viga de madera de la pared. Atornille en la pared y en la viga de la pared (APRETANDO A MANO SOLAMENTE) (vea la Figura 8).

UN extremo de la Barra de Seguridad dentro de la viga de MADERA, UN extremo en la viga de METAL de la pared.



PARA INSTALAR EN UNA VIGA DE MADERA DE PARED Y UNA VIGA DE METAL DE PARED:

1. Colóquese sus anteojos de seguridad antes de comenzar.
2. Primero comience en el extremo de la Barra de Seguridad que se va a instalar en la viga de madera de la pared. Use el taladro mecánico de 3/8 pulgada y la fresa de 1/8 pulgadas para perforar todos los agujeros en el extremo de la viga de madera de la pared. y en la viga de madera en los sitios marcados. *NOTA: Si va a instalar la Barra de Seguridad en losas de cerámica, requerirá una fresa con punta de carburo de 1/4 de pulgada para perforar en la losa y prevenir dañarla. Una vez que haya taladrado un agujero en la losa, use la fresa de 1/8 pulgada para perforar un agujero piloto en el propio entramado de madera de la pared.*
3. En el extremo que se va a instalar en la viga de metal de la pared, use un taladro mecánico manual de 3/8 de pulgada una fresa de 5/8 pulgadas para perforar tres (3) agujeros donde está marcado. *NOTA: Si va a instalar la Barra de Seguridad en losas de cerámica, requerirá una fresa con punta de carburo de 7/8 de pulgada para perforar en la losa y prevenir dañarla. Una vez que haya taladrado un agujero en la losa, use la fresa de 5/8 de pulgada para perforar a través del respaldo de soporte de la losa.*
4. Coloque la Barra de Seguridad en los agujeros de instalación emparejados con los agujeros en la pared.
5. Introduzca un (1) TORNILLO DE MADERA en el extremo de la Barra de Seguridad que se instalará en la viga de madera de la pared. Atornille en la pared y en la viga de la pared (APRETANDO A MANO SOLAMENTE) (vea la Figura 14).
6. En el otro extremo de la Barra de Seguridad, introduzca uno (1) de los tres (3) TORNILLOS DE FIJACIÓN incluidos, por cualquiera de los agujeros de instalación en la Barra de Seguridad. Comience con la tuerca de resorte en el extremo del TORNILLO DE FIJACIÓN como se muestra (vea la Figura 15), atornillándolo en el tornillo unas tres vueltas. Repita este paso con los dos (2) TORNILLOS DE FIJACIÓN restantes.
7. Coloque el extremo de la Barra de Seguridad con los TORNILLOS DE FIJACIÓN adjuntos de manera que pueda oprimir las tuercas de resorte y los topes en los extremos de los TORNILLOS DE FIJACIÓN por los agujeros perforados. Las tuercas de resorte deben pasar totalmente por los agujeros en la pared. (vea la Figura 14).
8. Hale los TORNILLOS DE FIJACIÓN hacia usted y apriete con el dedo los TORNILLOS para asegurarse que las tuercas de resorte se han abierto completamente contra el dorso de la pared y la viga de metal de la pared (vea la Figura 14) Si las tuercas de resorte no se han abierto completamente, afloje los tornillos y repita el Paso 8.
9. Apriete suavemente los TORNILLOS DE FIJACIÓN. Tendrá que apretarlos más en el Paso 12.
10. Repita el Paso 5 con los dos (2) TORNILLOS DE MADERA restantes introduciéndolos en la viga de madera de la pared.
11. Si va a instalar la Barra de Seguridad horizontalmente, asegúrese que la Barra esté nivelada (puede que tenga que empujar el extremo con el TORNILLO DE FIJACIÓN para nivelar la barra).
12. Apriete fijamente todos los tornillos de instalación de MADERA y los TORNILLOS DE FIJACIÓN con un destornillador.
13. Si usa una Barra de Seguridad oculta, mueva las chapas de cubierta sobre los agujeros y firmemente presione contra la pared (vea la Figura 1 en la página 1).



GARANTÍA LIMITADA

Garantía Limitada Ginger garantiza al comprador residencial consumidor original ("Comprador Original") que si un producto de accesorio en su línea Ginger® de productos ("Producto"), al ser inspeccionado, se comprueba tener materiales o fabricación defectuosa durante los períodos de garantía descritas a continuación, Ginger, como opción suya, puede reparar o reemplazar el Producto por un modelo actual similar. Si la reparación o el reemplazo no son comercialmente prácticos, o no se puede fabricar a tiempo, entonces Ginger le proporcionará un reembolso por el producto.

Períodos de Garantía y Cobertura
Acabados del Producto ♦ Los acabados PVD y Cromo Pulido (26) en productos que no incluyen las barras de las regaderas están garantizados durante el tiempo que el Comprador Original sea el propietario de su casa. ♦ Todos los otros acabados de metal en productos que no incluyen las barras de las regaderas están garantizados por diez (10) años desde la fecha de compra por el Comprador Original. ♦ El acabado de las barras de las regaderas, las piezas de porcelana y las piezas de vidrio no tiene garantía.

Funcionalidad ♦ Todas las piezas de los productos excepto las luces, los mecanismos de la bomba de loción, las piezas de porce lana o de vidrio están garantizadas por diez (10) años desde la fecha de la compra por el Comprador Original. ♦ Las Luces no tienen ninguna garantía de funcional. ♦ Los mecanismos de la bomba de loción están garantizados por un año (1) desde la fecha de compra del Comprador Original. ♦ Las barras de la regadera, piezas de porcelana y las piezas de vidrio no tienen ninguna garantía funcional.

Exclusiones de la Cobertura
Esta garantía no cubre costos del trabajo o costos asociados con éste, o daños ocurridos durante la remoción, transporte, retorno o instalación de los Productos o Productos de repuesto. Esta garantía no cubre los daños o defectos por causa del uso y desgaste normal, mal uso, abuso, agua dura, almacenaje inapropiado, trato inapropiado, mantenimiento inapropiado*, instalación inapropiada**, u otros usos que no son los normales del hogar***.

Esta garantía no es transferible.

Limitaciones de las Indemnizaciones
En ningún evento será Ginger responsable por daños incidentales o consecuentes (como costos del trabajo), sean basados en el incumplimiento de la garantía expresa o aludida, incumplimiento del contrato, negligencia, responsabilidad estricta o cualquier otra teoría legal. Algunos estados no permiten la exclusión de daños incidentales o consecuentes, de manera que, dicha limitación o exclusión puede no aplicarle a usted. Si cualquier garantía aludida, incluyendo las garantías mencionadas de comercio y uso para un propósito particular, se limitan a la duración de esta garantía escrita. Algunos estados no permiten limitaciones de la duración de la garantía aludida, de manera que dicha garantía puede no aplicarle a usted.

Servicio de la Garantía Para obtener servicio bajo esta Garantía, por favor comuníquese con su comerciante del Producto. Si usted no puede ubicar un comerciante, por favor llame al 800-842-4872 ó visite el sitio en el web de motiv, www.Gingerco.com. Se requiere el comprobante de compra, como el recibo original de la orden de compra, para expedirle un crédito al distribuidor.

Indemnizaciones o Remedios del Estado Esta garantía le da derechos específicos legales, y usted puede tener otros derechos que varían de un estado a otro.

***Mantenimiento** Se requiere el mantenimiento apropiado para conservar todos los acabados. No use en estos productos limpiadores abrasivos, alcohol, amoníaco, detergentes, o pulimentos para bronce o plata. Para obtener los requisitos y recomendaciones para el cuidado completo, por favor visite nuestro sitio en el web www.Gingerco.com.

**** Instalación Apropiada** Los productos deben instalarse de acuerdo con las instrucciones de instalación del fabricante incluida con los Productos. También puede llamar al 800-842-4872 para obtener copias de las instrucciones. Muchas de nuestras instrucciones para la instalación también están disponibles en nuestro sitio en el web, www.Gingerco.com.

*****Compradores Comerciantes** Ginger extiende la garantía arriba descrita a todos los compradores de los Productos para uso industrial, comercial y de negocios bajo los mismos términos y condiciones y exclusiones aplicables a los compradores residenciales, con excepción de los períodos de garantía del acabado y el funcionamiento que se reducen a un periodo de un (1) año desde la fecha de compra. **Además, con respecto a los compradores comerciantes, todas las garantías aludidas, incluyendo las garantías aludidas de comercio y uso para un propósito particular se excluyen y se niegan.**

INSTRUCTIONS D'INSTALLATION ET CONSIGNES D'UTILISATION ET D'ENTRETIEN DE LA BARRE D'APPUI

CONSIGNES DE SÉCURITÉ :

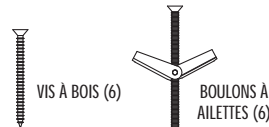
- N'INSTALLEZ PAS cet équipement sans d'abord avoir lu et compris ce feuillet d'instructions. Si vous ne comprenez pas les avertissements et les instructions, veuillez communiquer avec un professionnel de la santé, un fournisseur ou un technicien avant de tenter d'installer cet équipement, sans quoi des blessures peuvent survenir.
- Après TOUT réglage, réparation ou entretien, et AVANT utilisation, assurez-vous que toutes les pièces de fixation sont serrées solidement.
- Les barres d'appui offrent davantage de sécurité dans la baignoire ou à la toilette lorsqu'elles sont fixées selon les instructions. Pour qu'elles fournissent un maximum de sécurité et de fonctionnalité, l'emplacement, la dimension et l'angle des BARRES D'APPUI doivent être déterminés par un professionnel qualifié.
- Soyez EXTRÊMEMENT prudent sur les surfaces mouillées de la baignoire ou du plancher.
- Les personnes dont les capacités physiques sont restreintes doivent utiliser les barres sous supervision ou avec de l'aide.
- Cette barre d'appui offre un support et une stabilité aux personnes pesant jusqu'à 300 livres.
- Les barres d'appui ne sont PAS conçues pour supporter tout le poids d'une personne. Utilisez la barre d'appui UNIQUEMENT pour vous aider.
- Assurez-vous que les barres d'appui sont installées adéquatement et solidement. N'UTILISEZ JAMAIS les barres d'appui si vous remarquez qu'elles ont du jeu.

OUTILS REQUIS :

- Perceuse 3/8 po
- Foret 1/8 po (pour percer le trou de guidage en vue de l'installation de la VIS À BOIS dans le montant de bois)
- Foret à pointe de carbure 1/4 po (si vous devez percer dans des carreaux de céramique lorsque l'installation se fait dans un montant de bois)
- Foret 5/8 po (si vous devez installer des BOULONS À AILETTES)
- Foret à pointe de carbure 5/8 po (si vous devez percer dans des carreaux de céramique et installer des BOULONS À AILETTES)
- Tournevis Phillips n° 2
- Lunettes de sécurité
- Localisateur de montants

PIÈCES FOURNIES :

- Six (6) VIS À BOIS n° 10 x 2 1/2 po
- Six (6) BOULONS À AILETTES 1/4-20 x 3 po (à utiliser si seulement une extrémité de la barre d'appui peut être fixée à un montant de bois)



IMPORTANT :

Dans certaines maisons modernes, les montants sont en métal au lieu d'être en bois. La BARRE D'APPUI doit être installée selon l'une des méthodes décrites ci-après.

Les DEUX extrémités de la BARRE D'APPUI dans des montants de BOIS - Il s'agit de la MEILLEURE MÉTHODE ET DE LA PLUS SÛRE pour fixer la BARRE D'APPUI (voir p. 2).

Les DEUX extrémités de la BARRE D'APPUI dans des montants de MÉTAL (voir p. 3).

UNE extrémité de la BARRE D'APPUI dans un montant de BOIS, l'autre extrémité dans un PANNEAU MURAL (voir pages 3 et 4).

UNE extrémité de la BARRE D'APPUI dans un montant de MÉTAL et l'autre extrémité dans un PANNEAU MURAL (voir p. 4).

UNE extrémité de la BARRE D'APPUI dans un montant de BOIS et l'autre extrémité dans un montant de MÉTAL (voir p. 5).

Les barres d'appui Ginger ont été testées et supportent au minimum les charges prescrites par le Americans with Disabilities Act et la norme ASTM F466. Cependant, l'architecte, l'entrepreneur général et l'installateur doivent s'assurer que la barre d'appui sera ancrée solidement avec des pièces de fixation adéquates.

SI VOTRE BARRE D'APPUI EST DÉJÀ ASSEMBLÉE, PASSEZ À L'ÉTAPE SUIVANTE.

AFIN DE PROTÉGER LE FINI DE LA BARRE D'APPUI PENDANT SON INSTALLATION, ATTENDEZ D'AVOIR TERMINÉ L'INSTALLATION AVANT D'ENLEVER LA PELICULE DE PLASTIQUE.

AVANT D'INSTALLER LA BARRE D'APPUI :

1. Sortez la barre d'appui et les pièces de l'emballage. Si vous utilisez une barre d'appui dont l'ensemble de montage est dissimulé, éloignez les plaques-couvercles des orifices de montage (voir figure 1).
2. Déterminez l'emplacement de la barre d'appui.
3. Placez la barre d'appui à la position voulue (au moins une des extrémités doit être contre un montant en bois). Que la barre d'appui soit installée à l'horizontale ou à la verticale, vérifiez qu'elle soit de niveau.
4. Avec un crayon, marquez l'emplacement des orifices à une extrémité.
5. Répétez l'étape 4 pour l'autre extrémité de la barre d'appui.
6. Mettez la barre d'appui de côté.

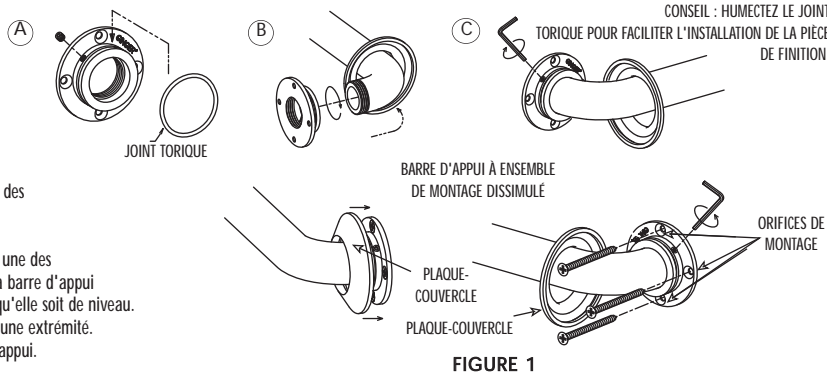


FIGURE 1

INSTRUCTIONS pour installer correctement les barres d'appui

⚠ AVERTISSEMENT

LES BARRES D'APPUI RISQUENT DE NE PAS ASSURER LE SOUTIEN POUR LESQUELLES ELLES ONT ÉTÉ CONÇUES SI ELLES NE SONT PAS INSTALLÉES CONFORMÉMENT AUX PRÉSENTES INSTRUCTIONS.

Pour une installation adéquate, au moins une des extrémités de la barre d'appui DOIT être placée sur un montant. Pour obtenir un appui solide, au moins deux (2) des trois (3) VIS de chaque extrémité de la barre d'appui qui sont placées sur un montant DOIVENT être fixées dans le panneau mural ou un carreau de céramique et être solidement fixées au montant. Compte tenu des dimensions standard des montants, vous pouvez visser seulement deux (2) des trois (3) VIS dans le montant. Les barres d'appui peuvent être installées à l'horizontale, à la verticale ou à la diagonale, à condition qu'au moins deux (2) des trois (3) vis de montage d'au moins une des extrémités de la barre d'appui soient fixées à un montant (voir figure 2).

Avant de commencer l'installation, localisez les montants derrière le mur (vous pouvez vous procurer un localisateur de montants chez un quincaillier).

NOTE: S'il vous est impossible de fixer les DEUX extrémités de la barre d'appui à des montants, l'extrémité qui ne sera pas fixée à un montant DOIT être installée au moyen des BOULONS À AILETTES fournis.

N'UTILISEZ PAS D'ANCRAGES MURAUX.

⚠ AVERTISSEMENT

LES ÉTAPES SUIVANTES REQUIÈRENT LE PERÇAGE DE TROUS DANS LE MUR.

Lorsque vous percez des trous dans le mur, prenez garde de toucher aux fils électriques ou à la tuyauterie derrière le mur. Les fils électriques abîmés peuvent causer des chocs électriques et des incendies. Étant donné que les maisons plus anciennes ne sont pas toujours conformes aux normes du bâtiment, il est essentiel que vous localisiez le câblage électrique derrière le mur afin qu'aucun fil électrique ne nuise à votre installation.

IL EST EXTRÊMEMENT IMPORTANT D'INSTALLER LA BARRE D'APPUI ADEQUATEMENT. EN CAS DE DOUTE, CONFIEZ L'INSTALLATION À UN PROFESSIONNEL COMPÉTENT.

UTILISATION DE LA BARRE D'APPUI :

1. Lisez les instructions qui figurent à la rubrique intitulée CONSIGNES DE SÉCURITÉ du présent livret d'instructions, assurez-vous de bien les comprendre et suivez-les. GINGER se dégage de toute responsabilité quant aux dommages et aux blessures occasionnés par une mauvaise installation ou un usage inapproprié de la présente barre d'appui.
2. Saisissez la barre d'appui lorsque vous sortez de la baignoire ou que vous y entrez ou lorsque vous vous levez de la toilette ou que vous vous assoyez dessus.
3. Soyez EXTRÊMEMENT prudent sur les surfaces mouillées de la baignoire ou du plancher.
4. N'APPUYEZ PAS de tout votre poids sur la barre d'appui. La barre d'appui peut supporter un poids de 300 livres SEULEMENT.
5. NE vous tenez PAS debout, NE vous assoyez PAS ou NE marchez PAS sur une barre d'appui. NE vous servez PAS de la barre d'appui comme une marche ou une plate-forme pour atteindre des endroits situés au-dessus de la baignoire. Utilisez la BARRE D'APPUI UNIQUEMENT comme appui.

ENTRETIEN :

1. Nettoyez la barre d'appui avec de l'eau tiède et un chiffon doux. N'utilisez JAMAIS de détergent abrasif.
2. Inspectez périodiquement la barre d'appui pour vous assurer qu'elle n'est pas endommagée ni instable. N'utilisez PAS la barre d'appui si elle est endommagée ou si elle a du jeu. Communiquez avec votre fournisseur agréé pour obtenir de l'aide.
3. CONSERVEZ LES PRÉSENTES INSTRUCTIONS POUR CONSULTATION ULTÉRIEURE.

Les DEUX extrémités de la barre d'appui fixées à des montants de BOIS

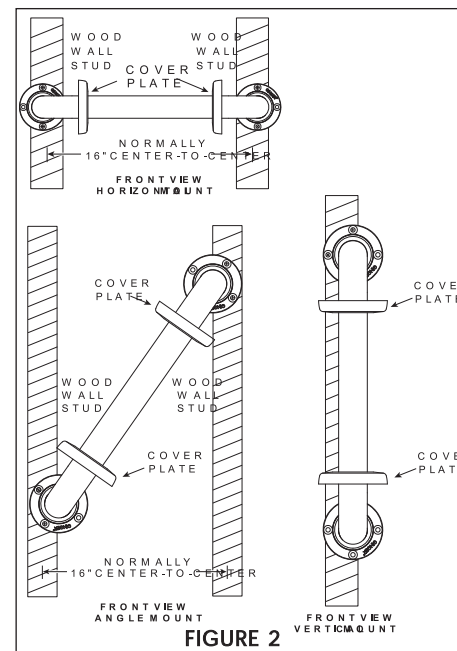


FIGURE 2

INSTALLATION DANS DES MONTANTS DE BOIS :

1. Portez des lunettes de sécurité.
2. Utilisez une perceuse 3/8-po et un foret 1/8-po pour percer les trous dans le mur et dans les montants de bois aux endroits marqués. Note: si vous installez la barre d'appui sur des carreaux de céramique, vous aurez besoin d'un foret au carbure 1/4-po pour percer les trous sans endommager les carreaux. Une fois que vous aurez percé un trou dans le carreau de céramique, utilisez le foret 1/8 po pour percer un trou de guidage dans le montant de bois.
3. Placez la barre d'appui sur le mur en alignant les orifices de montage avec les trous percés dans le mur.
4. Insérez les VIS À BOIS dans l'une des extrémités de la barre d'appui. Vissez-les dans le mur et dans le montant de bois (SERREZ À LA MAIN SEULEMENT) (voir figure 3).
5. Répétez l'étape 4 pour l'autre extrémité de la barre d'appui.
6. Serrez solidement toutes les VIS À BOIS avec un tournevis.
7. Si vous utilisez une barre d'appui dont l'ensemble de montage est dissimulé, ramenez les plaques-couvercles vers les orifices de montage et appuyez-les fermement contre le mur (voir figure 1 à la page 1).

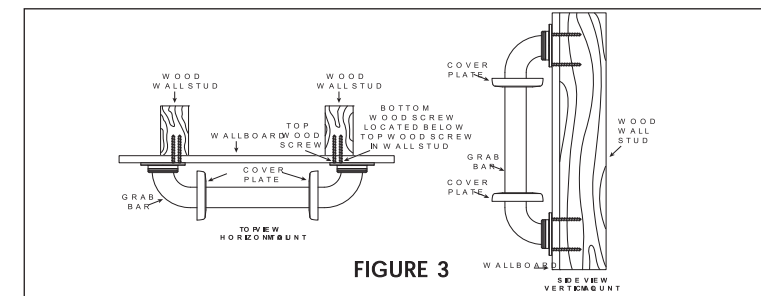
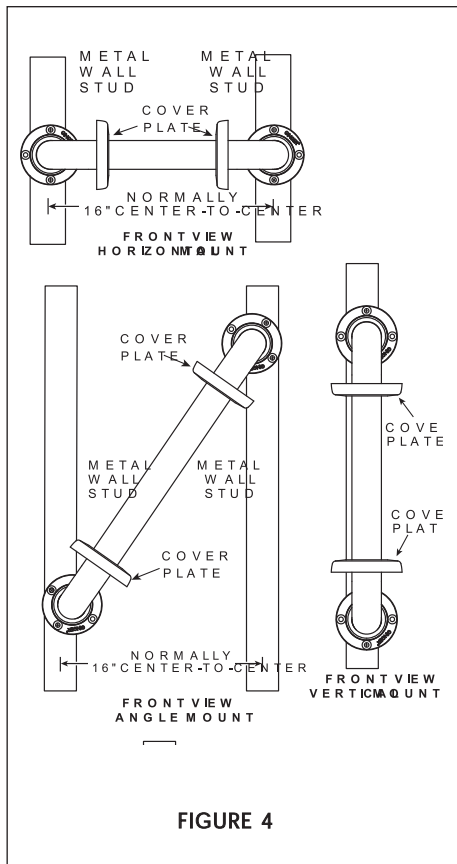


FIGURE 3



INSTALLATION DANS DES MONTANTS DE MÉTAL:

1. Portez des lunettes de sécurité.
2. Utilisez une perceuse 3/8-po et un foret 5/8-po pour percer six (6) trous aux endroits marqués. NOTE: si vous installez la barre d'appui sur des carreaux de céramique, vous aurez besoin d'un foret au carbure 5/8-po pour percer les trous sans endommager les carreaux. Une fois que vous aurez percé un trou dans le carreau de céramique, utilisez le foret 5/8 po pour percer un trou de guidage dans la surface d'appui du carreau.
3. Insérez un (1) BOULON À AILETTES dans n'importe quel orifice de montage de l'une des extrémités de la barre d'appui. un écrou à ressort à l'extrémité du BOULON À AILETTES comme le montre la figure (voir figure 5), en le vissant sur le boulon (environ trois tours). Répétez cette étape pour deux (2) BOULONS À AILETTES de cette même extrémité de la barre d'appui.
4. Placez l'extrémité de la barre d'appui avec les BOULONS À AILETTES fixés de manière à pouvoir pousser les écrous à ressort et l'extrémité des BOULONS À AILETTES dans les trous correspondants qui ont été percés. Les écrous à ressort doivent être complètement introduits dans les trous du mur (voir figure 6).
5. Répétez les étapes 3 et 4 pour l'autre extrémité de la barre d'appui.
6. À l'une des extrémités de la barre d'appui, tirez les BOULONS À AILETTES vers vous et serrez-les avec les doigts pour vous assurer que les écrous à ressort se sont pleinement ouverts contre l'endos du mur et des montants de métal (voir figure 6). Si les écrous à ressort ne sont pas totalement ouverts, desserrez les boulons et répétez l'étape 6.
7. Répétez l'étape 6 pour l'autre extrémité de la barre d'appui.
8. Serrez légèrement les BOULONS À AILETTES. Vous devrez les serrer plus solidement à l'étape 10.
9. Si vous installez la barre d'appui à l'horizontale, assurez-vous qu'elle est de niveau (il se peut que vous ayez à bouger un peu les BOULONS À AILETTES à l'une ou l'autre des extrémités pour mettre la barre d'appui de niveau).
10. Serrez solidement tous les BOULONS À AILETTES avec un tournevis.
11. Si vous utilisez une barre d'appui dont l'ensemble de montage est dissimulé, ramenez les plaques-couvercles vers les orifices de montage appuyez-les fermement contre le mur (voir figure 1 à la page 1).

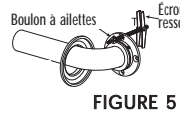


FIGURE 5

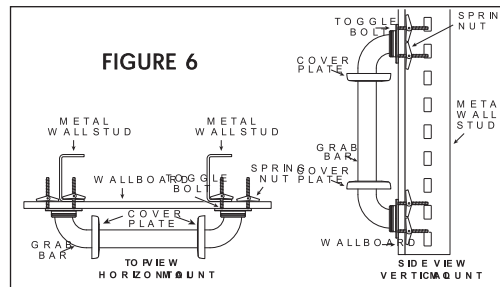


FIGURE 6

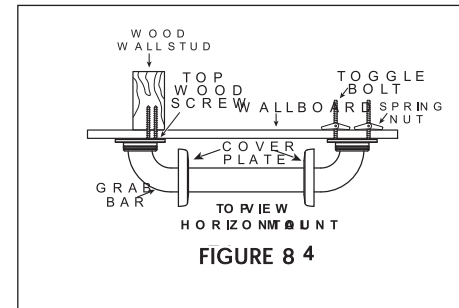


FIGURE 8 & 4

6. À l'autre extrémité de la barre d'appui, insérez un (1) des trois (3) BOULONS À AILETTES fournis dans n'importe quel des orifices de montage de la barre d'appui. Insérez un écrou à ressort à l'extrémité du BOULON À AILETTES comme le montre la figure (voir figure 9), en le vissant sur le boulon (environ trois tours). Répétez cette étape pour les deux (2) BOULONS À AILETTES restants.
7. Placez l'extrémité de la barre d'appui avec les BOULONS À AILETTES fixés de manière à pouvoir pousser les écrous à ressort et l'extrémité des BOULONS À AILETTES dans les trous correspondants qui ont été percés. Les écrous à ressort doivent être complètement introduits dans les trous du mur (voir figure 8).
8. Tirez les BOULONS À AILETTES vers vous et serrez-les avec vos doigts pour vous assurer que les écrous à ressort se sont pleinement ouverts contre l'endos du mur (voir figure 8). Si les écrous à ressort ne sont pas totalement ouverts, desserrez les BOULONS et répétez l'étape 8.
9. Serrez légèrement les BOULONS À AILETTES. Vous devrez les serrer plus solidement à l'étape 12.
10. Répétez l'étape 5 pour visser les deux (2) VIS À BOIS restants dans le montant de bois.
11. Si vous installez la barre d'appui à l'horizontale, assurez-vous qu'elle est de niveau (vous devrez peut-être bouger un peu le côté du BOULON À AILETTES pour mettre la barre d'appui de niveau).
12. Vissez solidement toutes les VIS À BOIS et les boulons à ailettes avec un tournevis.
13. Si vous utilisez une barre d'appui dont l'ensemble de montage est dissimulé, ramenez les plaques-couvercles vers les orifices de montage et appuyez-les fermement contre le mur (voir figure 1 à la page 1).

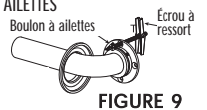


FIGURE 9

UNE extrémité de la barre d'appui fixée à un montant de MÉTAL et l'AUTRE extrémité, à un PANNEAU MURAL

INSTALLATION DANS DES MONTANTS DE MÉTAL ET UN PANNEAU MURAL:

1. Portez vos lunettes de sécurité.
2. Utilisez une perceuse 3/8-po et un foret 5/8-po pour percer six (6) trous aux endroits marqués. NOTE: si vous installez la barre d'appui sur des carreaux de céramique, vous aurez besoin d'un foret au carbure de 5/8-po pour percer les trous sans endommager les carreaux. Une fois que vous aurez percé un trou dans le carreau de céramique, utilisez le foret 5/8 po pour percer un trou de guidage dans la surface d'appui du carreau.
3. Insérez un (1) BOULON À AILETTES dans n'importe quel orifice de montage de l'une des extrémités de la barre d'appui. Insérez un écrou à ressort à l'extrémité du BOULON À AILETTES comme le montre la figure (voir figure 12), en le vissant sur le boulon (environ trois tours). Répétez cette étape pour les deux (2) BOULONS À AILETTES restants de cette même extrémité de la barre d'appui.
4. Placez l'extrémité de la barre d'appui avec les BOULONS À AILETTES fixés de manière à pouvoir pousser les écrous à ressort et l'extrémité des BOULONS À AILETTES dans les trous correspondants qui ont été percés. Les écrous à ressort doivent être complètement entrés dans les trous du mur (voir figure 11).
5. Répétez les étapes 3 et 4 pour l'autre extrémité de la barre d'appui.
6. À l'une des extrémités de la barre d'appui, tirez les BOULONS À AILETTES vers vous et serrez-les avec les doigts pour vous assurer que les écrous à ressort se sont pleinement ouverts contre l'endos du mur et les montants de métal (voir figure 11). Si les écrous à ressort ne sont pas totalement ouverts, desserrez les BOULONS et répétez l'étape 6.
7. Répétez l'étape 6 pour l'autre extrémité de la barre d'appui.
8. Serrez légèrement les BOULONS À AILETTES. Vous devrez les serrer plus solidement à l'étape 10.
9. Si vous installez la barre d'appui à l'horizontale, assurez-vous qu'elle est de niveau (il se peut que vous ayez à bouger LES BOULONS À AILETTES à une extrémité ou l'autre pour mettre la barre d'appui de niveau).
10. Vissez solidement toutes les VIS À BOIS de fixation avec un tournevis.
11. Si vous utilisez une barre d'appui dont l'ensemble de montage est dissimulé, ramenez les plaques-couvercles vers les orifices de montage et appuyez-les fermement contre le mur (voir figure 1 à la page 1).

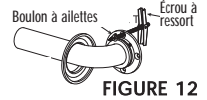


FIGURE 12

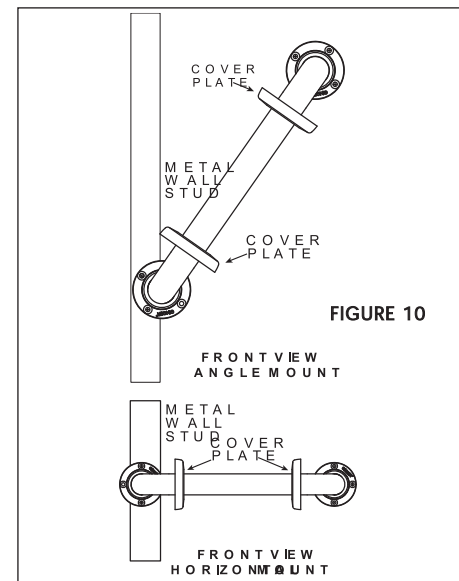


FIGURE 10

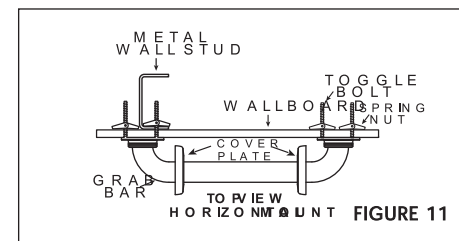


FIGURE 11

INSTALLATION DANS UN MONTANT DE BOIS ET UN PANNEAU MURAL:

1. Portez vos lunettes de sécurité.
2. Commencez d'abord par l'extrémité de la barre murale qui sera fixée au montant de bois. Utilisez une perceuse 3/8-po et un foret 1/8-po pour percer tous les trous à l'extrémité où se trouve le montant de bois, dans le mur et dans le montant de bois aux endroits marqués. NOTE: si vous installez la barre d'appui sur des carreaux de céramique, vous aurez besoin d'un foret au carbure de 5/8-po pour percer les trous sans endommager les carreaux. Une fois que vous aurez percé un trou dans le carreau de céramique, utilisez le foret 1/8 po pour percer un trou de guidage dans le montant de bois.
3. Pour l'extrémité qui sera fixée sur le panneau mural, utilisez une perceuse 3/8-po et un foret 5/8-po pour percer trois (3) trous aux endroits marqués. NOTE: si vous installez la barre d'appui sur des carreaux de céramique, vous aurez besoin d'un foret au carbure 5/8-po pour percer les trous sans endommager les carreaux. Une fois que vous aurez percé un trou dans le carreau de céramique, utilisez le foret 5/8 po pour percer un trou de guidage dans la surface d'appui du carreau.
4. Placez la barre d'appui sur le mur en alignant les orifices de montage avec les trous percés dans le mur.
5. Insérez une (1) VIS À BOIS sur l'extrémité de la barre d'appui qui sera fixée dans le montant de bois. Vissez dans le mur et le montant (SERREZ À LA MAIN SEULEMENT) (voir figure 8).

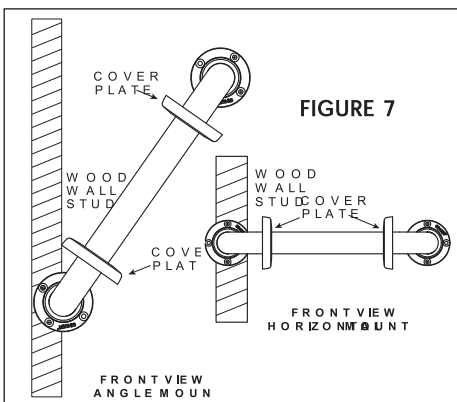


FIGURE 7

UNE extrémité de la barre d'appui fixée à un montant de BOIS et l'AUTRE extrémité, à un montant de MÉTAL

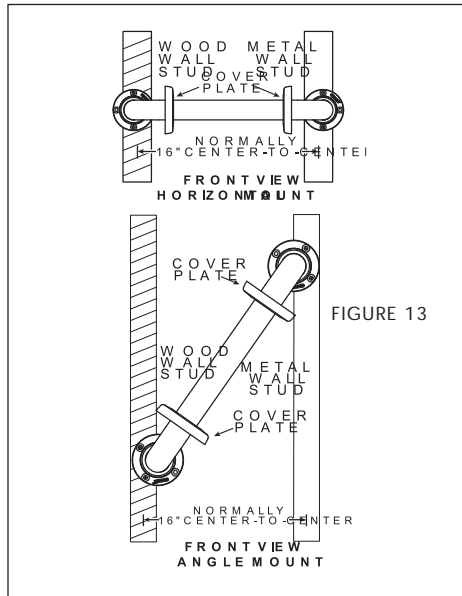


FIGURE 13

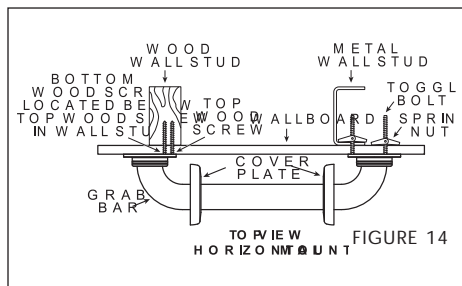


FIGURE 14

INSTALLATION SUR UN MONTANT DE BOIS ET UN MONTANT DE MÉTAL :

1. Portez vos lunettes de sécurité.
2. Commencez d'abord par l'extrémité de la barre murale qui sera fixée au montant de bois. Utilisez une perceuse 3/8-po et un foret 1/8-po pour percer tous les trous sur l'extrémité du montant de bois dans le mur et le montant de bois aux endroits marqués. NOTE: *si vous installez la barre d'appui sur des carreaux de céramique, vous aurez besoin d'un foret au carbure 1/4-po pour percer les trous sans endommager les carreaux. Une fois que vous aurez percé un trou dans le carreau de céramique, utilisez le foret 1/8 po pour percer un trou de guidage dans le montant de bois.*
3. À l'extrémité qui sera fixée à un montant de métal, utilisez une perceuse 3/8-po et un foret 5/8-po pour percer trois (3) trous aux endroits marqués. NOTE: *si vous installez la barre d'appui sur des carreaux de céramique, vous aurez besoin d'un foret au carbure de 7/8-po pour percer les trous sans endommager les carreaux. Une fois que vous aurez percé un trou dans le carreau de céramique, utilisez le foret 5/8 po pour percer un trou dans la surface d'appui du carreau.*
4. Placez la barre d'appui sur le mur en alignant les orifices de montage avec les trous percés dans le mur.
5. Insérez une (1) VIS À BOIS sur l'extrémité de la barre d'appui qui sera fixée sur le montant de bois. Vissez dans le mur et le montant (SERREZ À LA MAIN SEULEMENT) (voir figure 14).
6. À l'autre extrémité de la barre d'appui, insérez un (1) des trois (3) BOULONS À AILETTES fournis dans n'importe quel des orifices de montage de la barre d'appui. Insérez un écrou à ressort à l'extrémité du BOULON À AILETTES comme le montre la figure (voir figure 15), en le vissant sur le boulon (environ trois tours). Répétez cette étape pour les deux (2) BOULONS À AILETTES restants.
7. Placez l'extrémité de la barre d'appui avec les BOULONS À AILETTES fixés de manière à pouvoir pousser les écrous à ressort et l'extrémité des BOULONS À AILETTES dans les trous correspondants qui ont été percés. Les écrous à ressort doivent être complètement introduits dans les trous du mur (voir figure 14). Si les écrous à ressort ne sont pas totalement ouverts, desserrez les BOULONS et répétez l'étape 8.
9. Serrez légèrement les BOULONS À AILETTES. Vous devrez les serrer plus solidement à l'étape 12.
10. Répétez l'étape 5 pour visser les deux (2) VIS À BOIS restantes dans le montant de bois.
11. Si vous installez la barre d'appui à l'horizontale, assurez-vous qu'elle soit de niveau (vous devrez peut-être bouger un peu l'extrémité du BOULON À AILETTES pour mettre la barre d'appui de niveau).
12. Vissez solidement toutes les VIS À BOIS de fixation et les boulons à ailettes avec un tournevis.
13. Si vous utilisez une barre d'appui dont l'ensemble de montage est dissimulé, ramenez les plaques-couvercles vers les orifices de montage et appuyez-les fermement contre le mur (voir figure 1 à la page1).

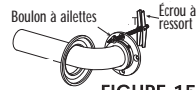


FIGURE 15

GARANTIE LIMITÉE

Garantie limitée Ginger consent au premier acheteur, tant que celui-ci demeure propriétaire de sa maison (« premier acheteur »), une garantie contre toute défectuosité du matériau ou tout vice de fabrication d'un accessoire de sa gamme de produits Ginger® (« produit »). Sous réserve de l'inspection du produit par Ginger pendant les périodes de garantie décrites ci-dessous, Ginger pourra, à sa discrétion, réparer le produit ou le remplacer par un produit similaire. S'il s'avère impossible de réparer le produit ou si la réparation ne peut être effectuée dans un délai raisonnable, Ginger remboursera le produit.

Durée de garantie et protection

Finis du produit ♦ Les finis en revêtement de couches dures (PVD) et en chrome poli (26) sur les produits autres que les tringles à rideaux sont garantis tant que le premier acheteur demeure propriétaire de sa maison. ♦ Tous les autres finis métalliques des produits sont garantis pendant une période de dix (10) ans à compter de la date de l'achat par le premier acheteur. ♦ Les finis des tringles à rideaux et des pièces en porcelaine et en verre ne sont pas garantis.

Bon fonctionnement ♦ Toutes les pièces du produit, à l'exception des appareils d'éclairage, des mécanismes de pompe à savon, des pièces en porcelaine ou des pièces en verre sont garanties pendant une période de dix (10) ans à compter de la date d'achat par le premier acheteur. ♦ Le bon fonctionnement des appareils d'éclairage n'est pas garanti. ♦ Les mécanismes des pompes à savon sont garantis pendant une période d'un (1) an à compter de la date d'achat par le premier acheteur. ♦ Le bon fonctionnement des tringles à rideaux et des pièces en porcelaine et en verre n'est pas garanti.

Exclusions de la protection

Sont exclus de la protection les frais de main-d'œuvre ou les frais connexes ou les dommages survenus au cours de la dépose, du transport, du renvoi ou de l'installation des produits ou des produits de remplacement. La présente garantie ne s'applique pas aux dommages ni aux défectuosités causées par l'usure normale, une mauvaise utilisation, une utilisation abusive, l'eau dure, un entreposage inapproprié, une maintenance inappropriée, une mauvaise entretien**, une installation inappropriée*** ou un usage autre qu'un usage domestique normal****.

La présente garantie n'est pas transférables.

Limites de la responsabilité

Ginger se dégage de toute responsabilité à l'égard des dommages indirects ou consécutifs (comme les frais de main d'œuvre), qu'ils soient liés ou non-respect d'une garantie expresse ou à une garantie implicite, à une rupture de contrat, à de la négligence, à une responsabilité absolue ou à toute autre théorie juridique. Dans certains États ou certaines provinces, il peut être interdit de limiter la durée d'une garantie implicite, ou d'exclure ou de limiter les dommages indirects ou consécutifs. Par conséquent, les limitations ou les exclusions ci-dessus peuvent ne pas s'appliquer dans votre cas. Toute garantie implicite, y compris les garanties implicites de qualité marchande et d'adéquation à un usage particulier, est limitée à la période de la présente garantie écrite. Dans certains États ou certaines provinces, il peut être interdit de limiter la durée d'une garantie implicite auquel cas les restrictions décrites ci-dessus ne vous sont pas applicables.

Service sous garantie Pour obtenir un service au titre de la présente garantie, communiquez avec le dépositaire qui vous a vendu le produit. Si vous êtes incapable de trouver le dépositaire, veuillez téléphoner au 1 800 842-4872 ou visitez le site Web de Ginger à www.Gingerco.com. Pour qu'un crédit soit accordé au grossiste, une preuve d'achat, tel que l'original de la facture, doit accompagner la demande de service.

Autres recours La présente garantie vous confère des droits précis qui sont reconnus par la loi et vous pourriez également vous prévaloir d'ou des droits qui diffèrent d'un État ou d'une province à l'autre.

* **Entretien.** Un entretien convenable garantira la protection de tous les finis. Il est déconseillé d'utiliser des nettoyeurs abrasifs, de l'alcool, de l'ammoniaque, des détergents ou un agent de polissage pour le lait ou l'argent sur les produits. Pour obtenir les instructions et les recommandations en matière d'entretien, veuillez visiter notre site Web à www.Gingerco.com.

** **Installation appropriée.** Les produits doivent être installés conformément aux instructions d'installation du fabricant fournies avec les produits. Vous pouvez également téléphoner au 1 800 842-4872 pour obtenir des copies des instructions d'installation. Plusieurs de nos instructions d'installations sont également disponibles sur notre site Web à www.Gingerco.com.

*** **Acheteurs commerciaux.** Ginger étend la portée de la présente garantie aux acheteurs qui se procurent le produit pour en faire un usage industriel, commercial et professionnel. Cette garantie est consentie sous réserve des mêmes conditions et des mêmes exclusions que celles qui s'appliquent aux acheteurs résidentiels, sauf que les périodes de garantie des finis et du bon fonctionnement se limitent à une période d'un (1) an à compter de la date d'achat. **De plus, le fabricant n'offre, aux acheteurs commerciaux, aucune garantie implicite de qualité marchande et d'adéquation à un usage particulier.**