



FRAME

Single Pivoting Hook 3005

Features

- Solid brass construction
- Complements Frame product series

Codes / Standards Compliance

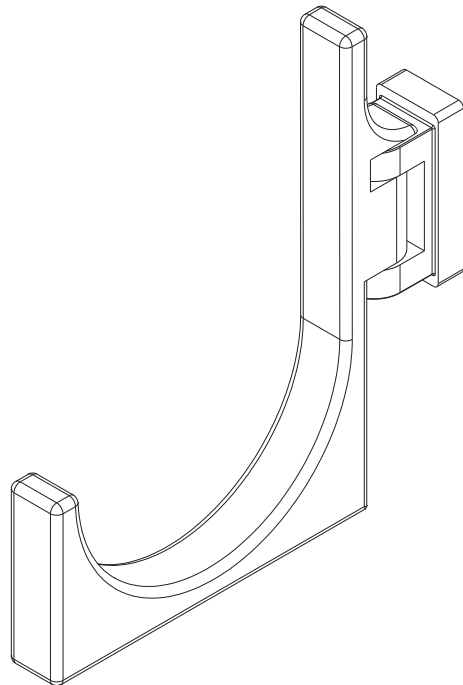
Meets or exceeds the following at date of manufacture:

- All applicable US Federal and State material regulations

Colors / Finishes

- PC: Polished Chrome
- SN: Satin Nickel

Other: N/A



Specified Model

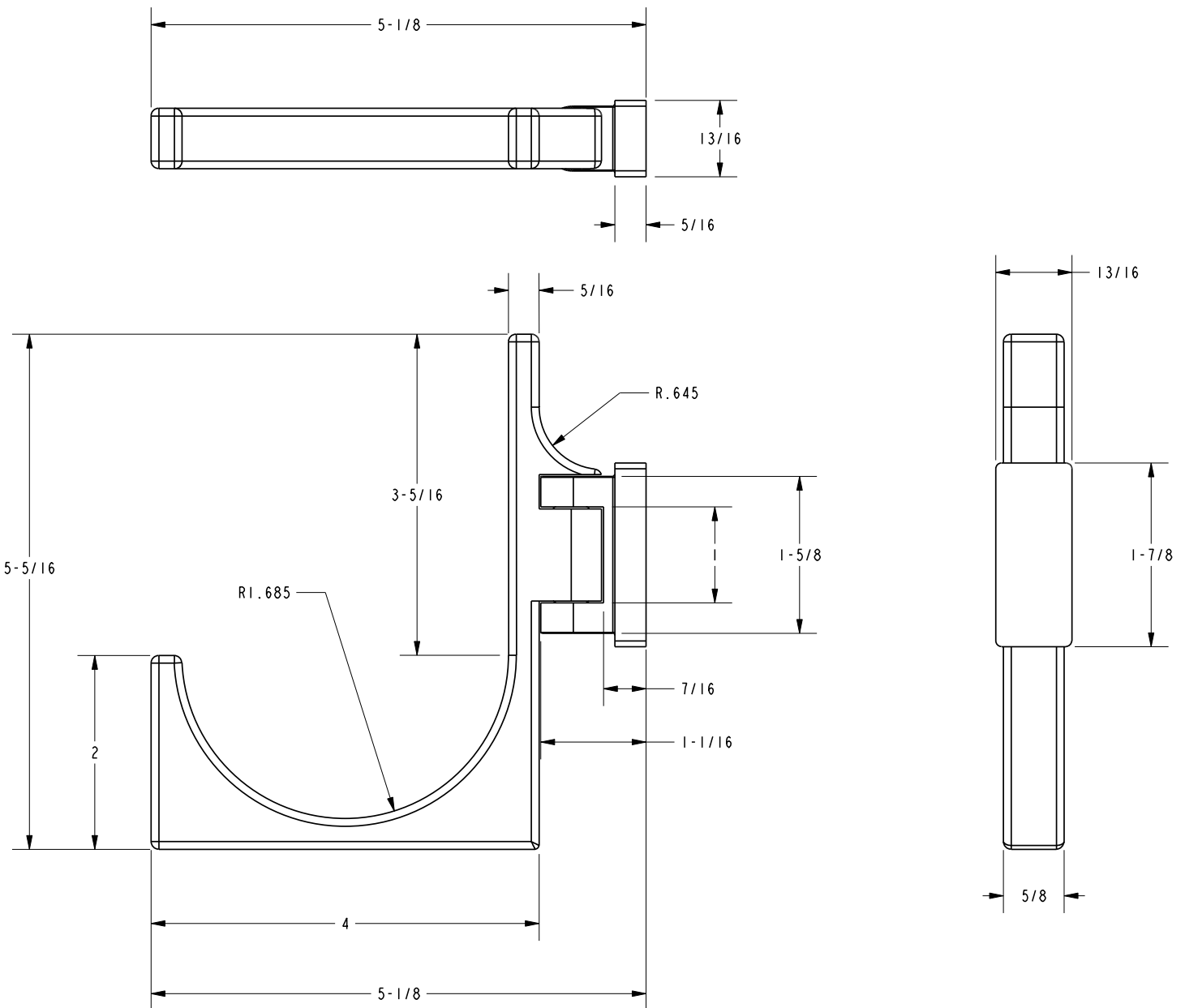
Model	Description	Colors Finishes
3005	Single Pivoting Hook	<input type="checkbox"/> PC <input type="checkbox"/> SN

Product Specification: Add "Color / Finish" Suffix to Model Number Below.

The Single Pivoting Robe Hook shall be made of solid brass construction. Single Pivoting Robe Hook shall complement motiv Frame product series. Single Pivoting Robe Hook shall be motiv Model 3005/_____ .

3005

Product Dimensions *(units are in inches)*



Frame Single Pivoting Hook 3005

