

BATHROOM
Luna Wall-Mounted
Lavatory/Vessel Filler w/Single
Control Handle
G-6000-LM36W

GRAFF®



Information

- Wall-mounted spout installation
- Wall-mounted handle installation
- Flow rate \leq 1.2 max gpm
- ADA
- CALGreen

G-6000-LM36W

Wall-Mounted Lavatory/Vessel Filler with Single Control Handle Showerhead



Product Features

- Wall-mounted spout installation
- Wall-mounted handle installation
- Flow rate ≤ 1.2 max gpm

Available Finishes

- Polished Chrome
G-6000-LM36W-PC
- Steelnox
G-6000-LM36W-SN

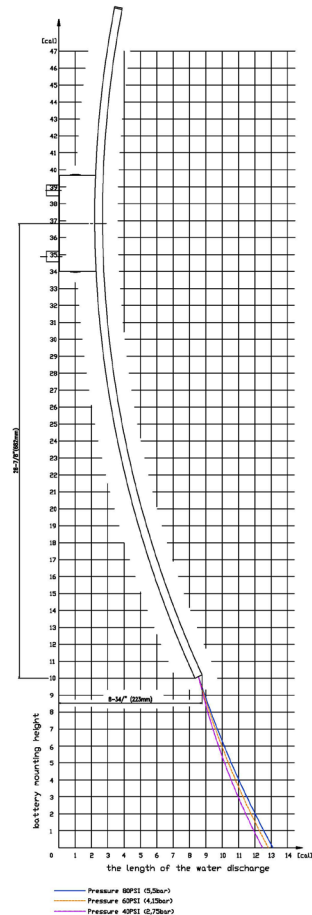
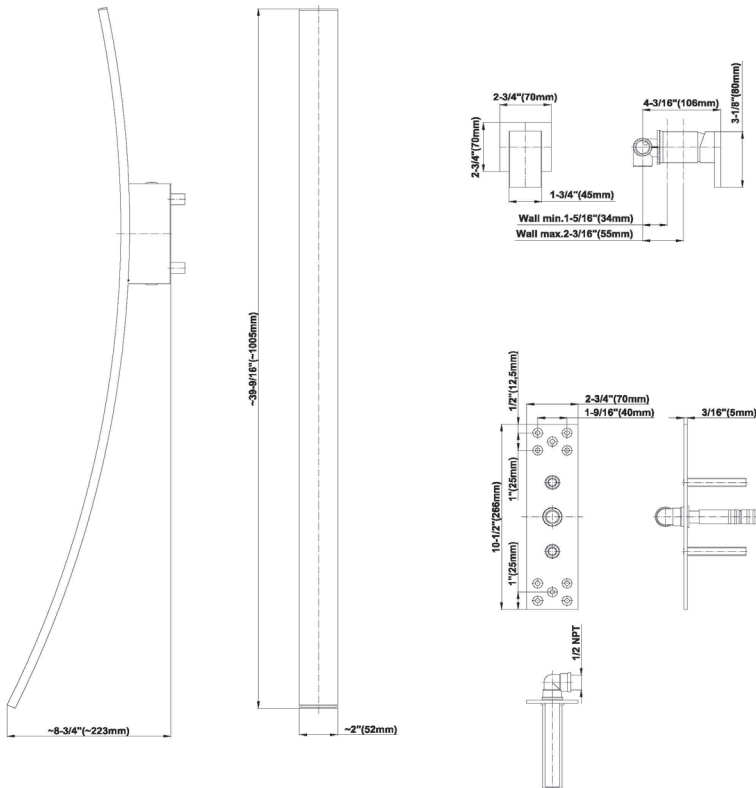
Code Compliance

- ADA
- CALGreen

Warranty

- Limited lifetime warranty

For complete warranty information go to <https://www.graff-designs.com/en/info/faqs>



BATHROOM
Luna Lavatory Single Handle Set -
Wall-Mounted
G-0035-LM36W-T

GRAFF®



Information

- Requires G-1080 rough

Finishes



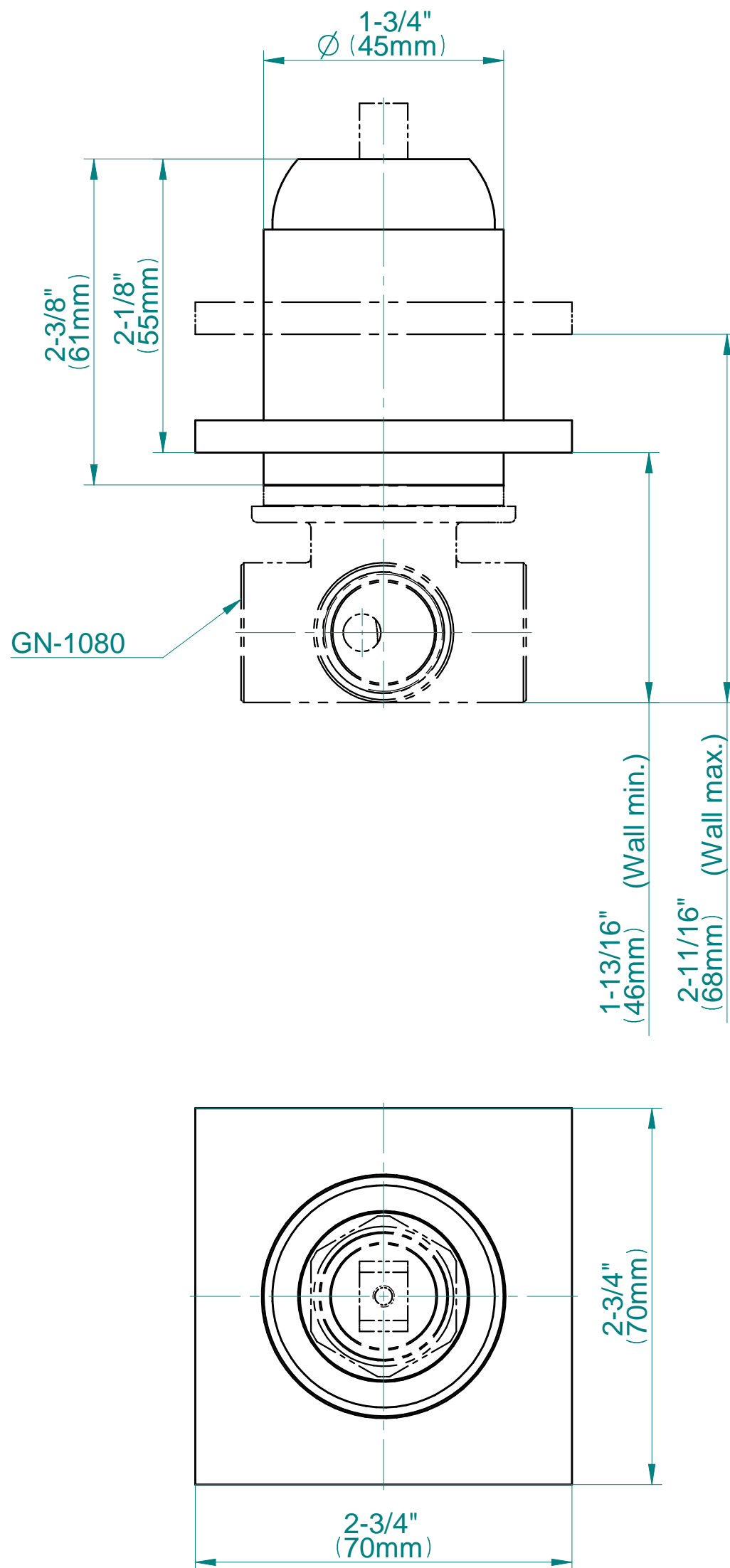
Polished
Chrome



Steelnox®
(Satin Nickel)

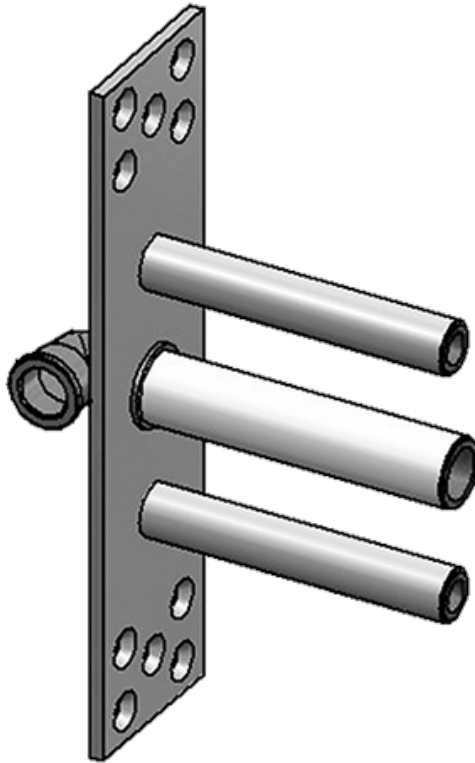
G-0035

Luna Series



BATHROOM
Spout Connection Rough
G-1070

GRAFF®



Finishes



Polished
Chrome



Steelnox®
(Satin Nickel)

BATHROOM
Luna Single Handle Wall-Mounted
Rough
G-1080

GRAFF®



Finishes



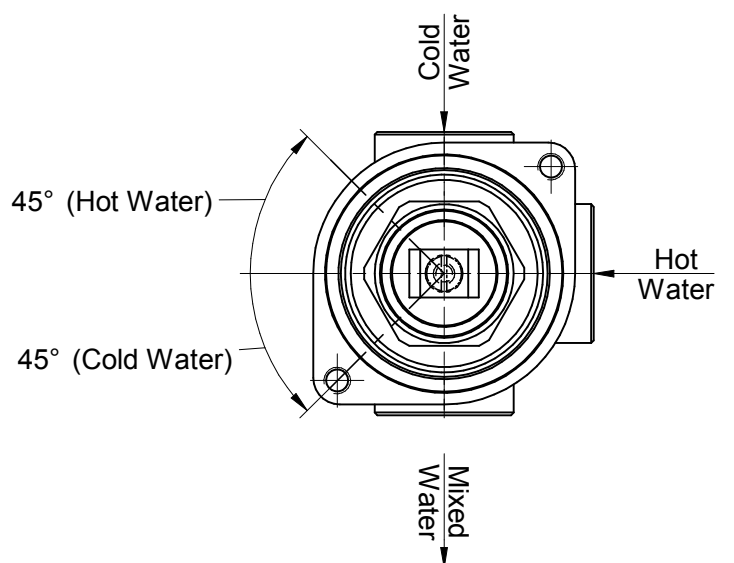
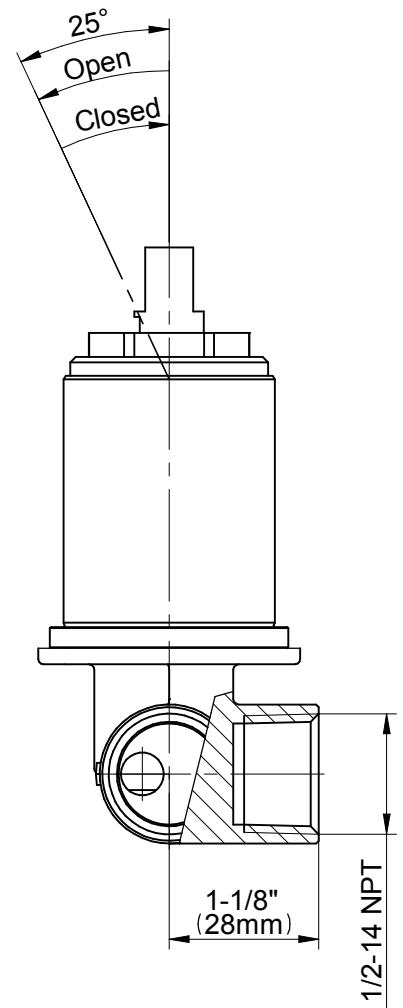
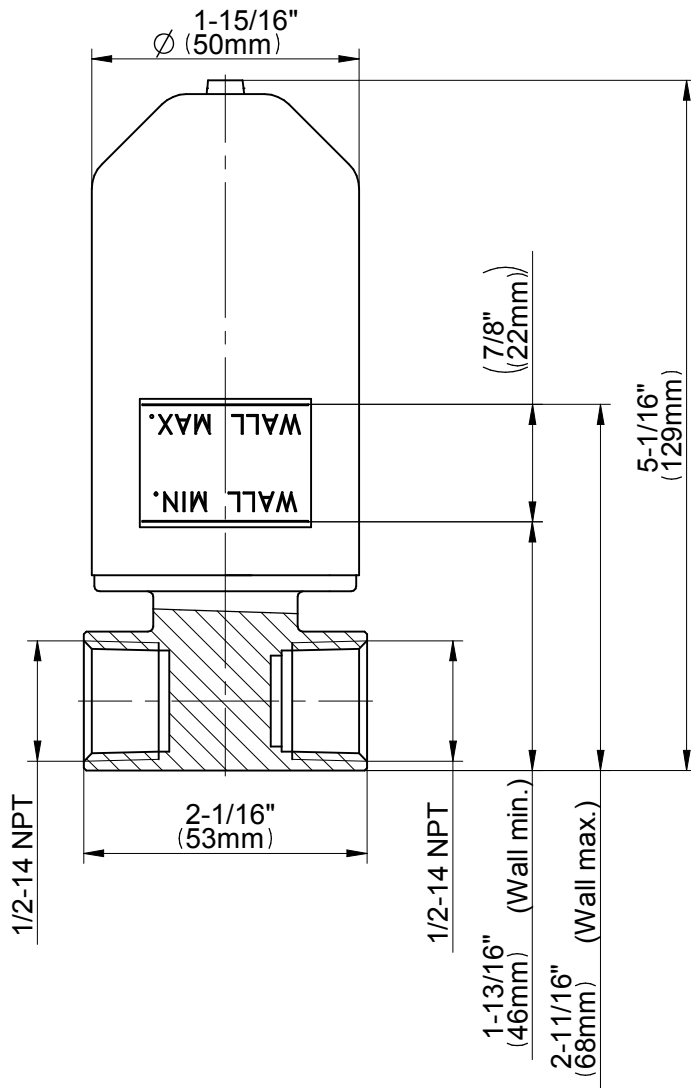
Polished
Chrome



Steelnox®
(Satin Nickel)

GN-1080

Luna Series



BATHROOM
Luna Wall-Mounted
Lavatory/Vessel Filler - Trim Only
G-6000-T

GRAFF®



Information

- Wall-mounted spout installation

Finishes



Polished
Chrome



Steelnox®
(Satin Nickel)



Product Features

- Wall-mounted spout installation
- Trim only

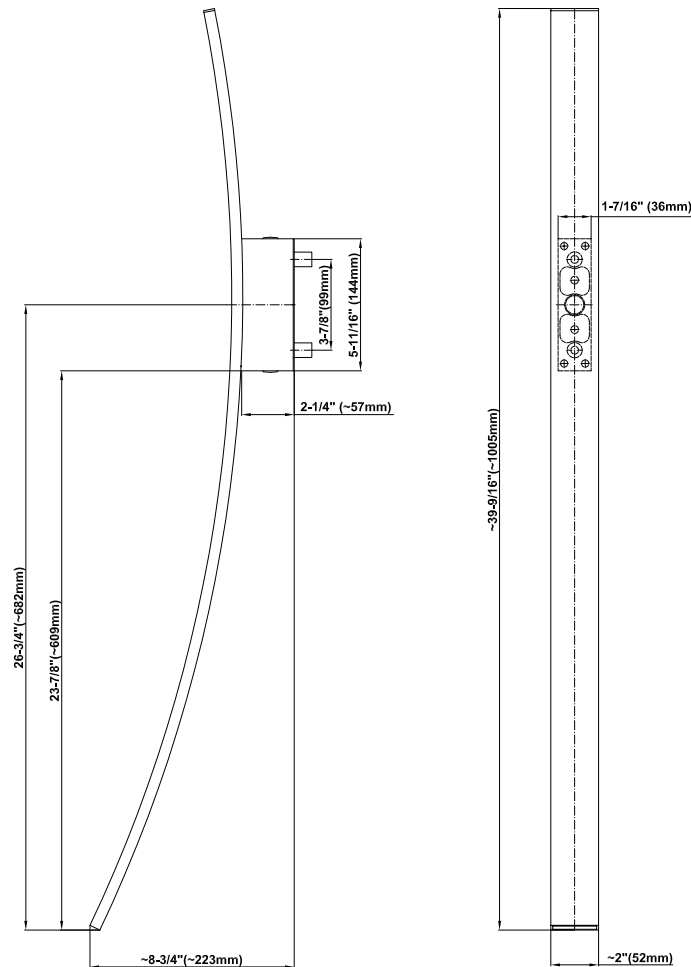
Available Finishes

- Polished Chrome
 G-6000-PC-T
- SteelInox[®] G-6000-SN-T

Warranty

- Limited lifetime warranty

For complete warranty information go to www.graff-faucets.com/en-nam/warranty



The measurements shown are for reference only. Products and specifications shown are subject to change without notice. Revised 09/2015.

www.graff-faucets.com | phone: 800-954-4723