

BATHROOM  
Immersion Floor-Mounted Tub  
Filler  
**G-2353-LM40B**

---

**GRAFF®**

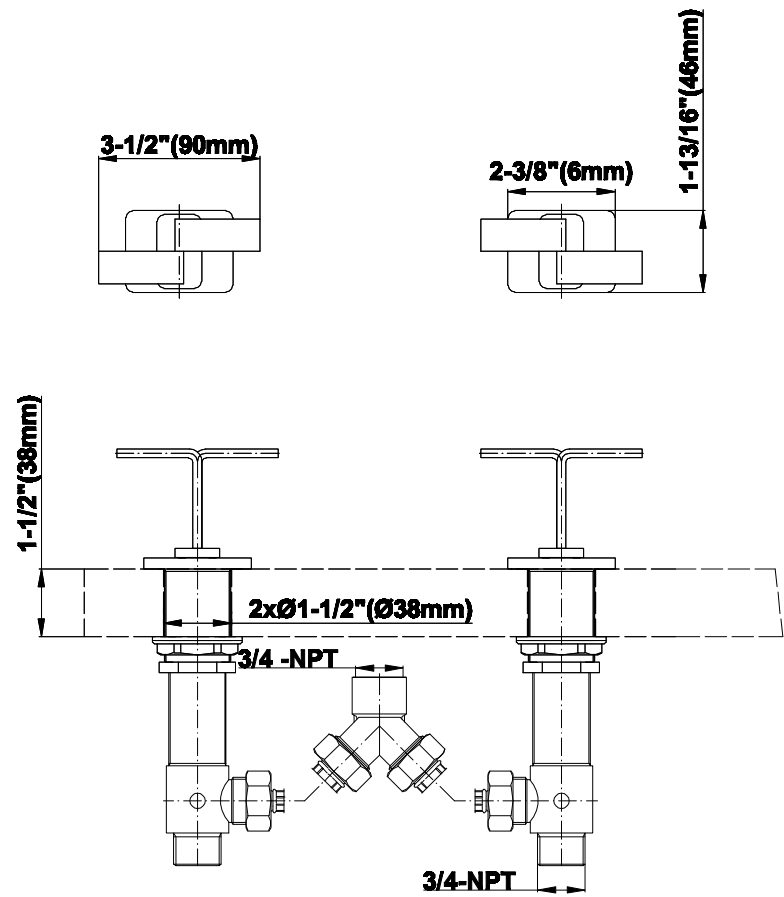
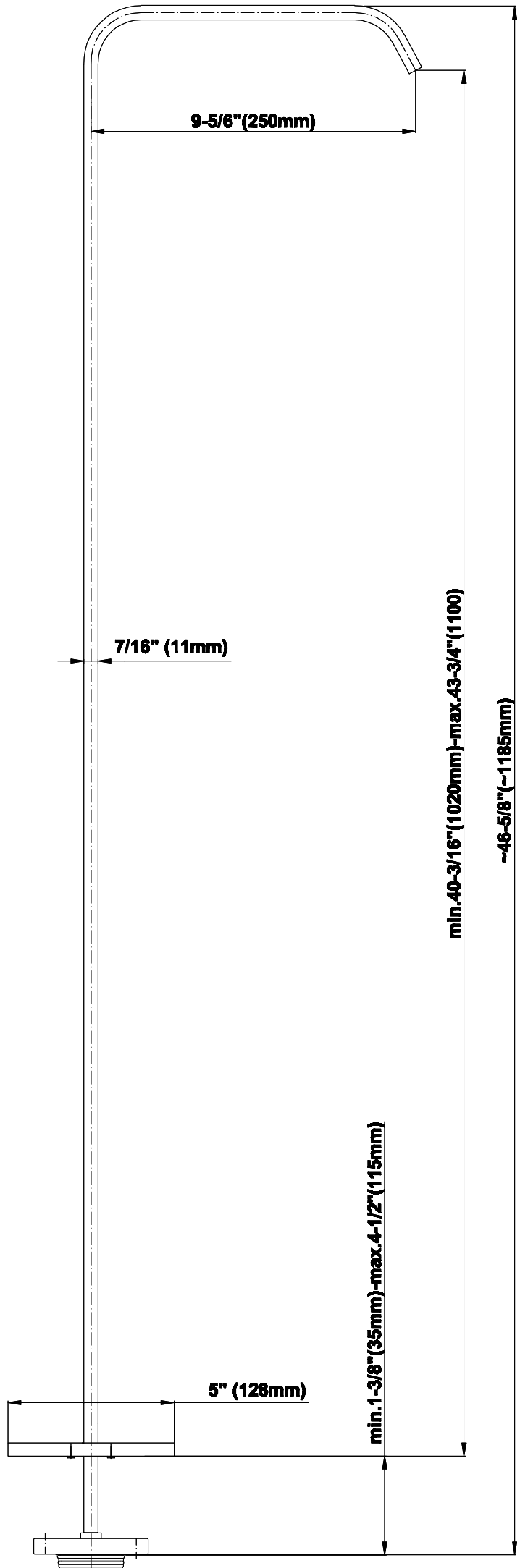


## Information

- Floor-mount installation
- Aerated Flow Rate ~7 gpm @45 psi
- 9-13/16" spout reach
- 33"-36-1/8" ~spout height
- Matching deck-mounted handshower & diverter set available
- Optional in-line pressure balancing valve
- ADA

# G-2353

## IMMERSION Series



BATHROOM  
Spout Connection Rough  
**G-1050**

**GRAFF®**



**Finishes**



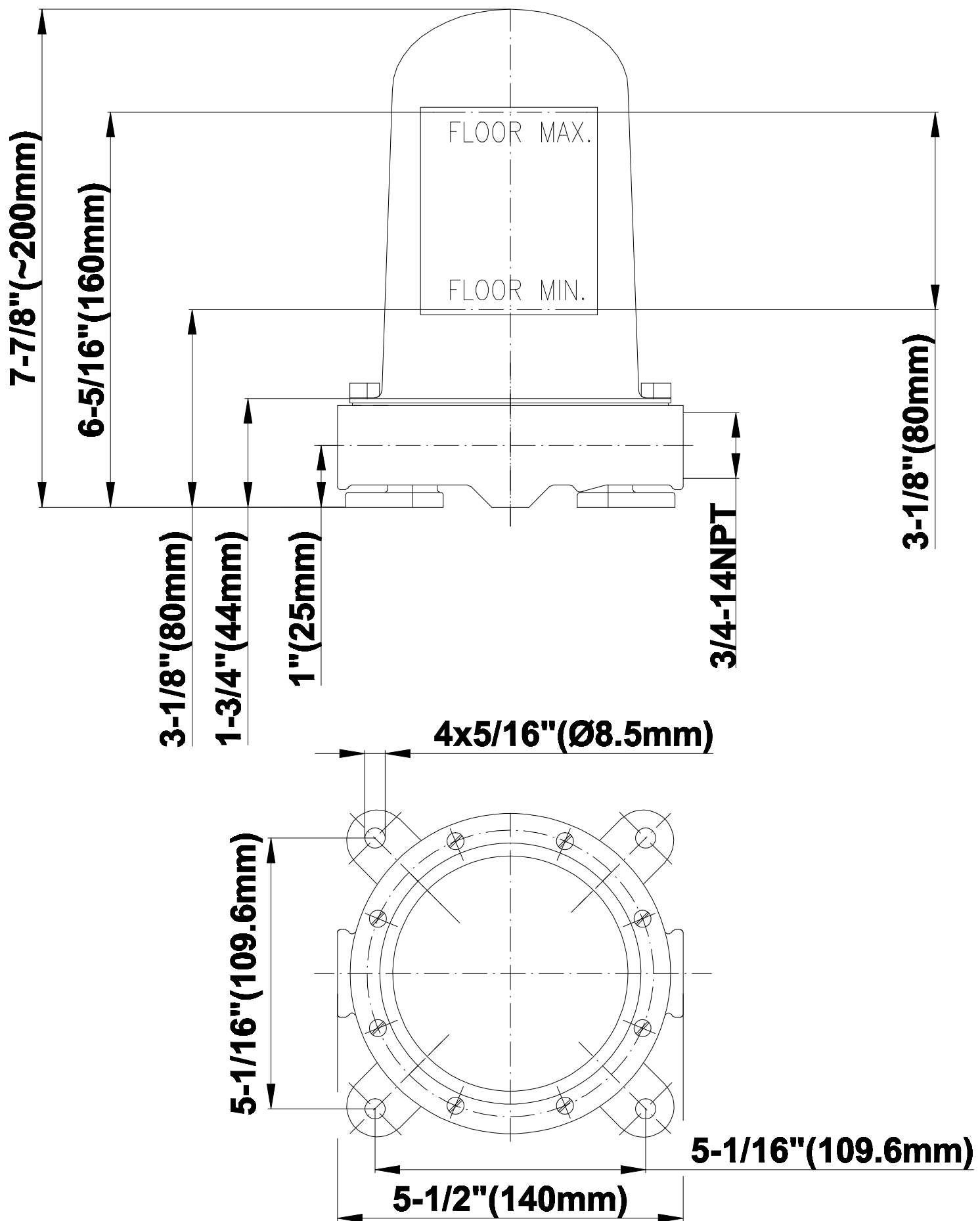
Polished  
Chrome



Steelnox®  
(Satin Nickel)

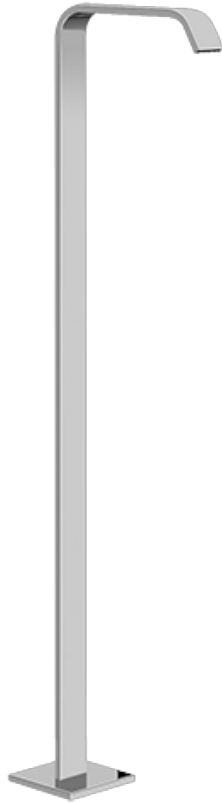
# G-1050

## Rough



BATHROOM  
Immersion Floor-Mounted Tub  
Filler - Spout Only  
**G-2353-T**

**GRAFF®**



**Information**

- Floor-mount installation
- Aerated Flow Rate ~7 gpm @45 psi
- 9-13/16" spout reach
- 33"-36-1/8" ~spout height
- Optional in-line pressure balancing valve

**Finishes**



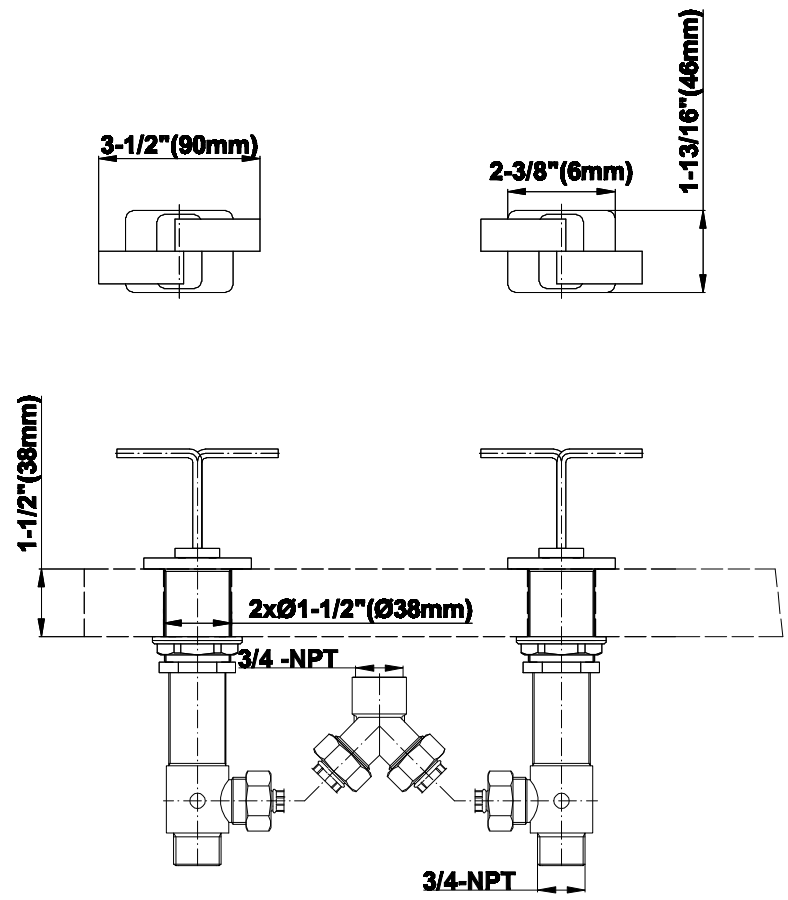
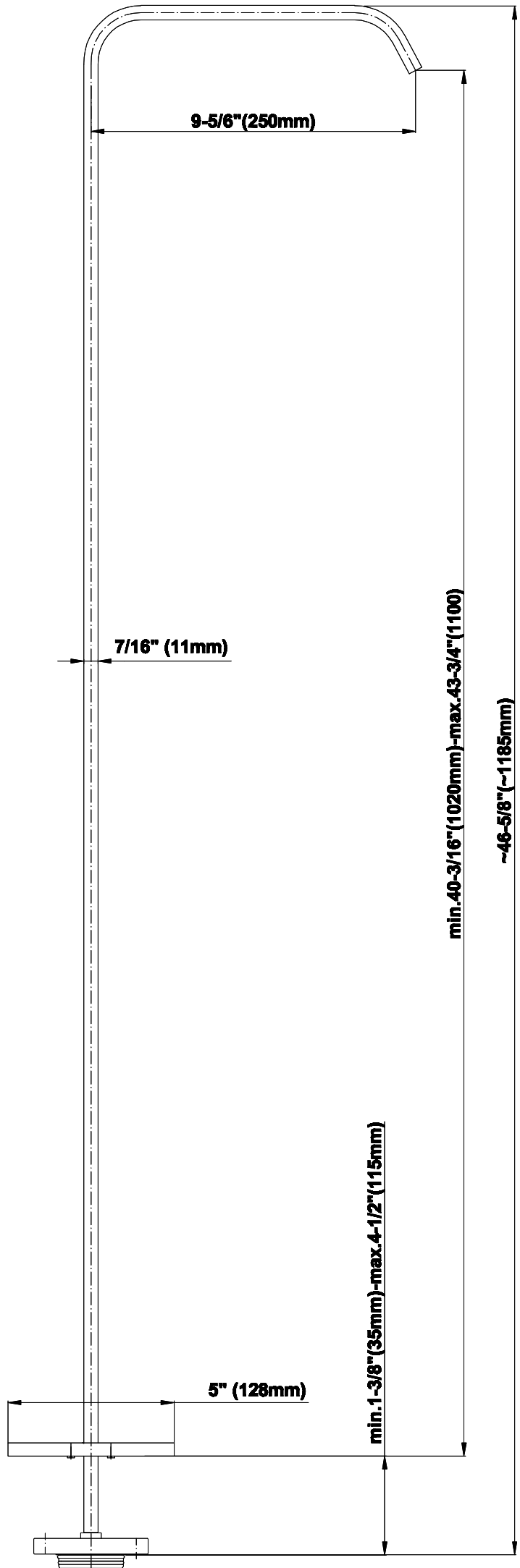
Polished  
Chrome



Steelnox®  
(Satin Nickel)

# G-2353

## IMMERSION Series



BATHROOM  
Immersion Tub Handle Set - Deck-  
Mounted  
**LM40B-BS**

**GRAFF®**



**Information**

- ADA

**Finishes**



Polished  
Chrome



Steelnox®  
(Satin Nickel)

# LM40-BS

## IMMERSION Series

