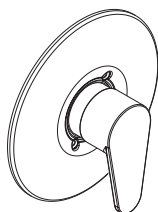
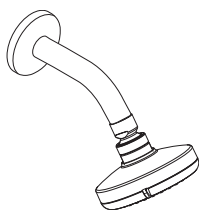
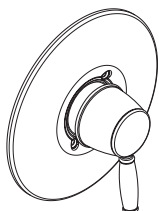
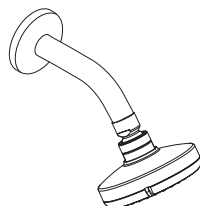


Installation Instructions / Warranty



IP C

04210000
04211000
04212000

IP S

04203000
04204000
04205000



IP E

04199000
04200000
04201000

hansgrohe

IP Trim Sets

Valve trim only

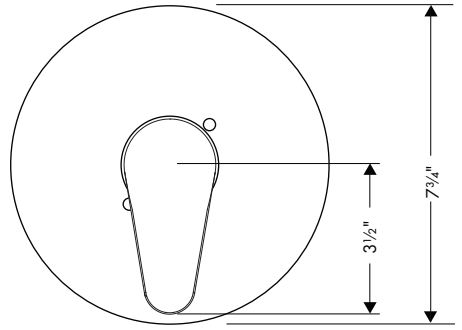
IP C	04212000
IP E	04201000
IP S	04205000

Shower set (includes valve trim, shower arm, showerhead)

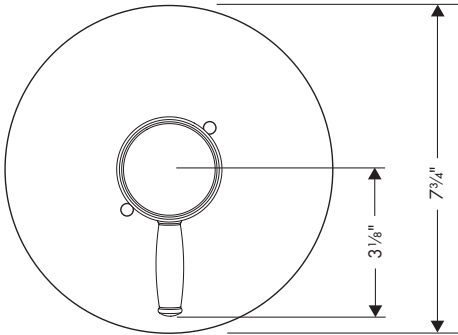
IP C	04211000
IP E	04200000
IP S	04204000

Tub/shower set (includes valve trim, shower arm, showerhead, tub spout)

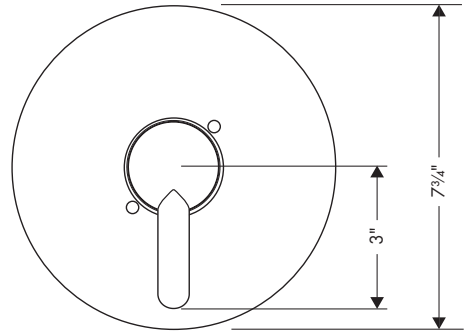
IP C	04210000
IP E	04199000
IP S	04203000



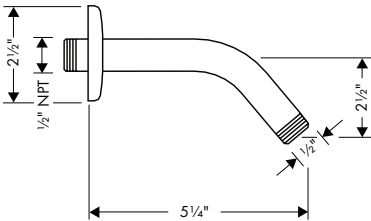
IP E valve trim 04201000



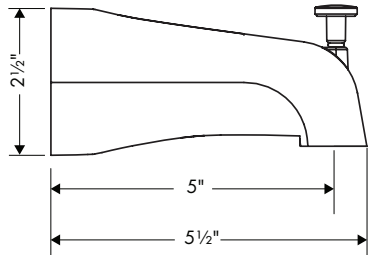
IP C valve trim 04212000



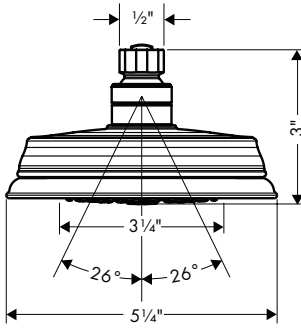
IP S valve trim 04205000



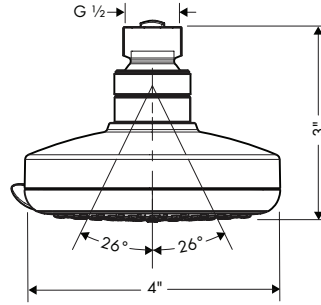
shower arm - included with shower sets and tub/shower sets only



tub spout - included with tub/shower sets only



IP C showerhead
 1.6 GPM max
 Full spray, massage, intense
 massage



IP E,S showerhead
 1.6 GPM max
 Full spray, massage, intense
 massage

Installation considerations

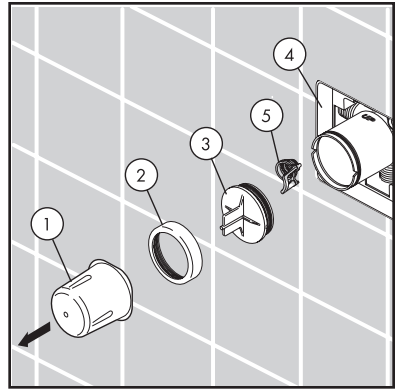
- For best results, Hansgrohe recommends that this unit be installed by a licensed, professional plumber.
- Please read over these instructions thoroughly before beginning installation. Make sure that you have all tools and supplies needed to complete the installation.
- Pressure balance valve rough 04210000 (not included) must be installed, and the finished wall surface must be installed and made watertight before installation of this trim kit.
- The tub spout (included with 04210000 / 04199000 / 04203000 only) requires a 1/2" NPT male nipple, extending 4" - 4 1/4" outside the surface of the finished wall.
- The shower arm requires a 1/2" NPT female fitting.
- The max. flow rate of the valve is 4.5 GPM.
- The max. flow rate of the showerhead is 1.6 GPM.
- The shower valve incorporates a high temperature limit stop which must be set to comply with local plumbing codes.
- This product is for use with shower heads rated at 1.5 GPM (5.6 l/min) or higher.
- To prevent scald injury, the maximum output temperature of the shower mixing valve (not included) must be no higher than 120°F. In Massachusetts, the maximum output temperature can be no higher than 112° F.
- Know and follow all applicable local plumbing codes when setting the temperature on the water heater.

Trim installation

Turn the water off at the main before beginning.

Remove the cover (1), bonnet nut (2), and test cap (3), from the valve body. If the screen (5) is still present, remove it as well.

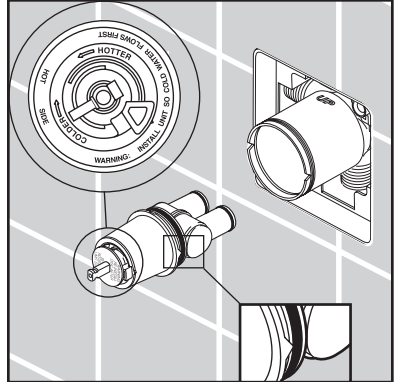
If the valve is installed in a fiberglass or acrylic enclosure, the plaster shield (4) must remain in place. In all other installations, the plaster shield may be removed, if desired.



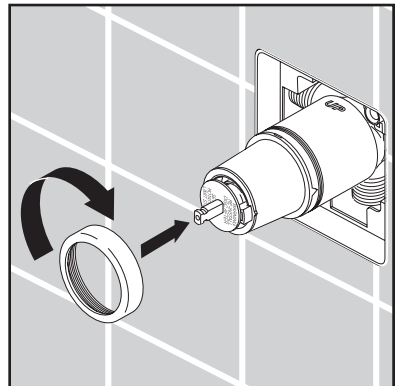
Normal installation: Insert the cartridge in the valve with the “hot side” marking on the left.

Reversed installation (cold on left/hot on right): Insert the cartridge so that the “hot side” markings are on the right.

All installations: Make sure that the cartridge engages the holes inside the valve. The keys on the sides of the cartridge should engage the slots on the sides of the valve.



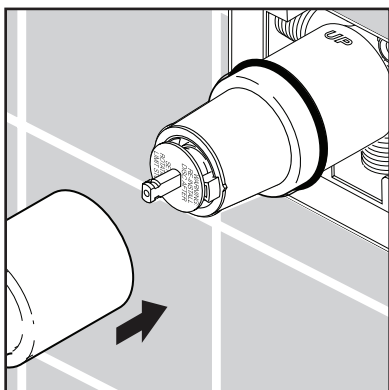
Install the bonnet nut. Tighten it hand tight.



Install the o-ring on the cartridge. It should rest just behind the bonnet nut.

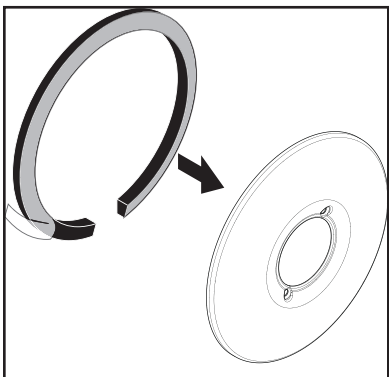
Push the sleeve over the cartridge, body, and o-ring.

Remove the backing from the sealing tape. Press the



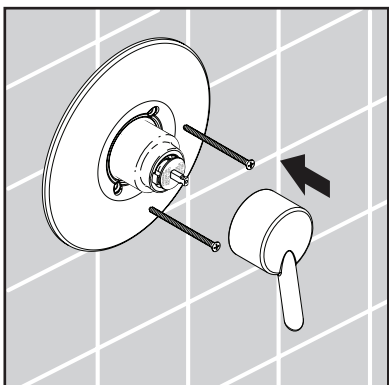
sealing tape around the reverse of the escutcheon.

Install the escutcheon. Fasten it to the bracket with the two screws. Do not overtighten the screws.



Test the valve: Temporarily install the handle. Turn the handle clockwise until it stops. Turn the water on at the main. Turn the handle counter-clockwise. The cold water should come on first, and become warmer the farther the handle is turned.

Turn the handle counter-clockwise until it stops. Measure the temperature of the output water with a thermometer.

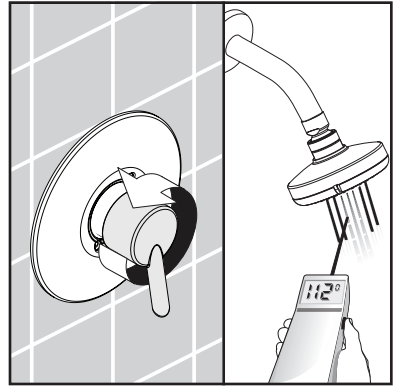


CAUTION: If the hot water comes on first, reverse the cartridge. See the cartridge removal instructions on page 7 and the reversed installation instructions on page 4.

If the water is hotter than the maximum temperature permitted by local code (110° - 112°F in many areas), reset the rotational limit stop (see below).

Install the handle adapter and screw.

Install the handle. Tighten the handle screw with a 3mm Allen wrench.

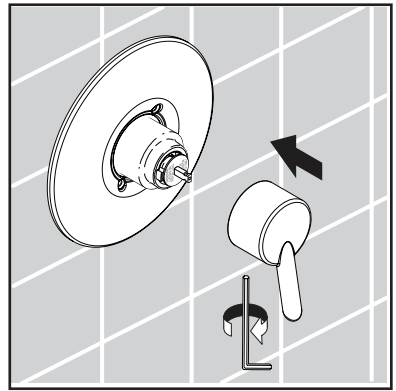


Set the rotational limit stop (high temperature limit stop)

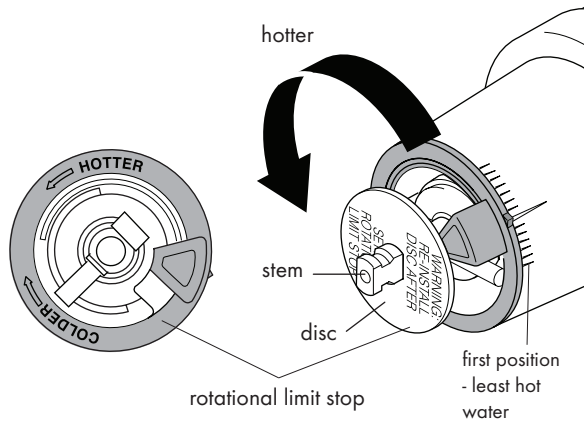
The rotational limit stop may need to be adjusted seasonally, or if changes are made to the water heater.

Remove the handle. Pull the disc away from the cartridge enough so that you can grasp the rotational limit stop.

Pull out on the rotational limit stop and turn it clockwise to make the water cooler, counter-clockwise to make it warmer. The temperature change per tooth can be 4°F - 16°F, depending on the water conditions. Test. Repeat if necessary.



! Push the disc back into place, until fully seated. Failure to do so could result in scald injury.



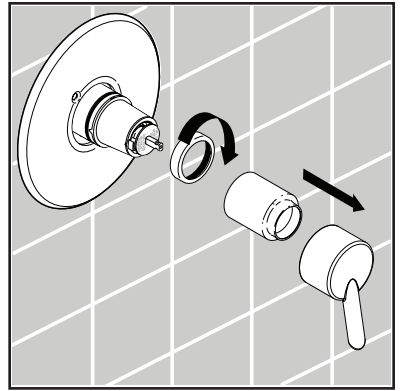
Cartridge removal

If the cartridge must be removed for any reason, follow these steps.

Turn the water off at the main.

Remove the handle and sleeve.

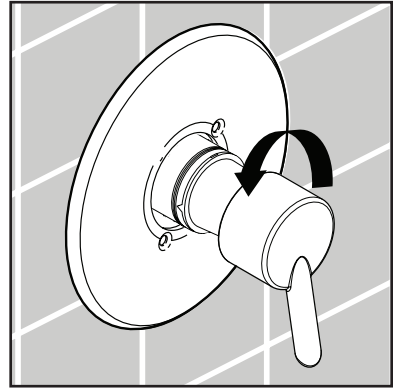
Remove the bonnet nut.



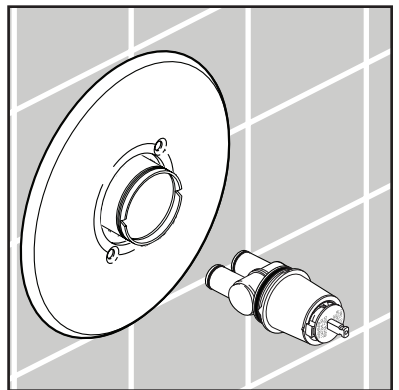
Position the handle on the stem. Turn counter-clockwise approximately $\frac{1}{4}$ turn after the stop is contacted.



Caution: Do not attempt to pry the cartridge out with a screwdriver!



Lift the cartridge from the valve body.



Tub spout installation



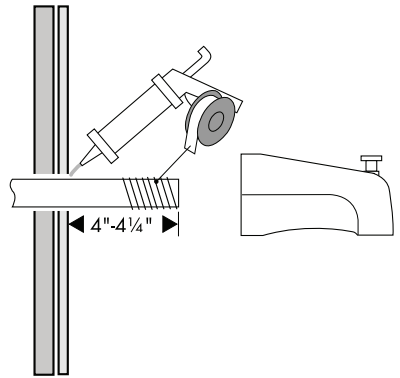
Seal the wall around the nipple with waterproof sealant.



Failure to seal the wall can lead to possible water damage.

Wrap the threads on the nipple with several layers of Teflon thread tape.

Screw the tub spout to the nipple. Tighten with a strap wrench to prevent damage to the finish.



Shower arm installation

Push the flange over the end of the shower arm.

Wrap the threads on the shower arm with several layers of Teflon tape.

Install the arm in the female fitting in the wall. Tighten with a strap wrench.

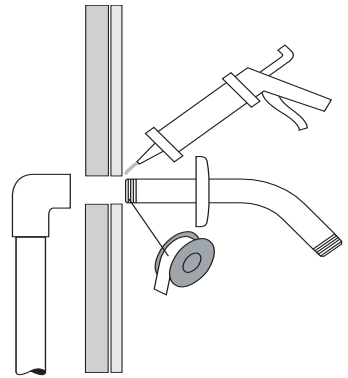


Seal the wall around the shower arm with waterproof sealant.



Failure to seal the wall can lead to possible water damage.

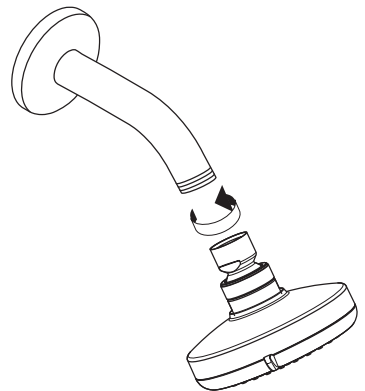
Slide the flange against the wall.



Showerhead installation

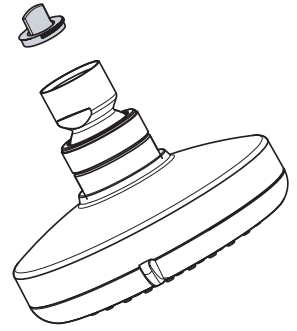
Because of the self-sealing filter gasket, Teflon tape is not necessary.

Screw the showerhead onto the arm. Do not overtighten, or damage to the showerhead or arm can result.



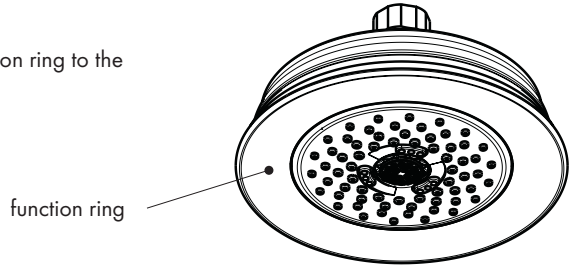
Showerhead user instructions

All models: If the flow of water diminishes over time, remove and clean the filter gasket.

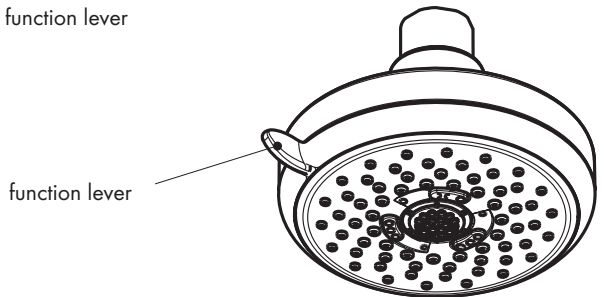


Change the spray modes

IP C showerhead only – turn the function ring to the desired spray mode.

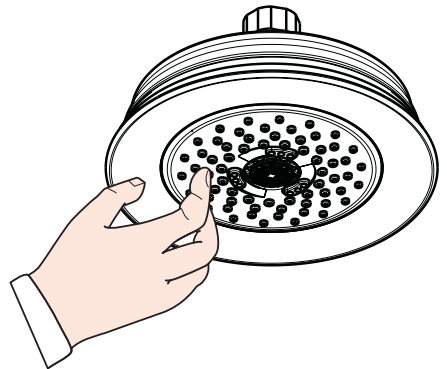


IP E,S showerhead only – push the function lever to the desired spray mode.



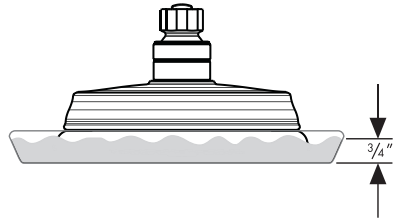
Cleaning

If scale deposits appear in the spray channels, rub across the spray channels with a finger or a sponge to dislodge them.

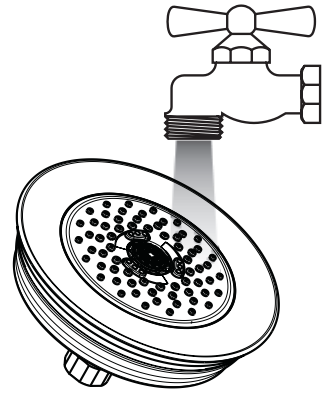


To remove heavier scale deposits, pour about 3/4" of a commercial scale remover such as Lime-Away or CLR, into a shallow dish. Be sure to follow the label instructions!

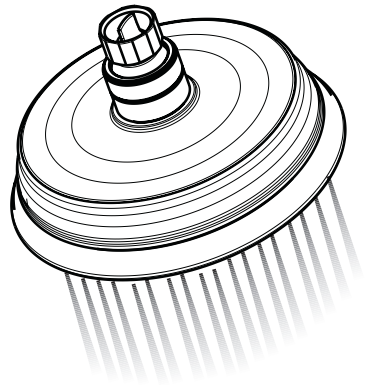
Soak the spray face for the amount of time specified in the label instructions.



Rinse the showerhead with clear water.



Install the showerhead. Turn the water on and flush the showerhead for at least one minute.



Cleaning Recommendation for Hansgrohe Products

Modern bathroom faucets, kitchen faucets and shower products are made from different materials to comply with the needs of the market with regard to design and functionality. To avoid damage to the product, it is necessary to take proper care of it.

For best results:

- Prevent the buildup of mineral scale and /or soap residue by cleaning your Hansgrohe product(s) when needed.
- Select a cleaning agent specifically intended for the type of product.
- **Do not** use these types of cleaners as they will cause damage to your Hansgrohe product:
 - ✘ Any cleaning agent containing hydrochloric acid, formic acid, lye, or acetic acid.
 - ✘ Abrasive cleaning powders, pads, or brushes.
 - ✘ Steam cleaners.
 - ✘ "No rinse" cleaning agents.
- **Always** follow the instructions provided by the manufacturer of the cleaning agent.
- **Do not** mix cleaning agents, unless directed by the manufacturer.
- **Do not** spray cleaners directly onto the product as drops could enter openings and gaps and cause damage. When using spray cleaners, spray the cleaner onto a soft cloth or sponge.
- **Always** rinse your Hansgrohe product thoroughly with clear water and polish dry with a soft cloth after cleaning.

Important

- Residue from soaps, shampoos, hair dye, and other toiletries and cosmetics can cause damage. Rinse the product with clean water after each use.
- Residue from basin/tub/tile cleaner can cause damage to faucets and fittings. Immediately rinse any overspray from the Hansgrohe product.
- Do not store any cleaning agents under your Hansgrohe product, such as in a vanity unit, as the fumes may damage the product.
- **Damage to the product caused by improper care or the use of improper cleaning agents is not covered by the warranty.**
- **If a component of the product is damaged, replace it, as there is risk of injury.**

Limited Consumer Warranty

This product has been manufactured and tested to the highest quality standards by Hansgrohe, Inc. ("Hansgrohe"). This warranty is limited to Hansgrohe products that are purchased by a consumer in the United States or Canada after March 1, 1996, and installed in either the United States or in Canada.

WHO IS COVERED BY THE WARRANTY

This warranty extends to the original purchaser only. This warranty is non-transferable.

WHAT IS COVERED BY THE WARRANTY

The warranty covers only your Hansgrohe manufactured product. Hansgrohe warrants this product against defects in material or workmanship as follows:

Hansgrohe will replace at no charge for parts only or, at its option, replace any product or part of the product that proves defective because of improper workmanship and/or material, under normal installation, use, service and maintenance. If Hansgrohe is unable to provide a replacement and repair is not practical or cannot be made in timely fashion, Hansgrohe may elect to refund the purchase price in exchange for the return of the product.

LENGTH OF WARRANTY

Replacement or repaired parts of products will be covered for the term of this warranty, as stated in the following two sentences. If you are a consumer who purchased the product for use primarily for personal, family or household purposes, this warranty extends for as long as you own the product and the home in which the product is originally installed. If you purchased the product for use primarily for any other purpose, including, without limitation, a commercial purpose, this warranty extends only (i) for 1 year, with respect to Hansgrohe & Commercial products, and (ii) for 5 years, with respect to Axor products.

THIS WARRANTY DOES NOT COVER, AND HANSGROHE WILL NOT PAY FOR:

- A. Conditions, malfunctions or damage not resulting from defects in material or workmanship.
- B. Conditions, malfunctions or damage resulting from (1) normal wear and tear, improper installation, improper maintenance, misuse, abuse, negligence, accident or alteration; (2) the use of abrasive or caustic cleaning agents or "no-rinse" cleaning products, or the use of the product in any manner contrary to the product instructions; or (3) conditions in the home such as excessive water pressure or corrosion.
- C. Labor and other expenses for disconnection, deinstallation, or return of the product for warranty service (including but not limited to proper packaging and shipping costs), or for installation or reinstallation of the product.

- D. Accessories, connected materials and products, or related products not manufactured by Hansgrohe.
- E. Any Hansgrohe or Axor product sold for display purposes.
- F. Hansgrohe Water Filtration System is subject to a 1-year limited warranty. Warranty does not include replacement filters.

TO OBTAIN WARRANTY PARTS OR INFORMATION

Contact your Hansgrohe retailer, or contact Technical Service at:

Hansgrohe, Inc.
1492 Bluegrass Lakes Parkway
Alpharetta, GA 30004
Toll-free 800-334-0455

In requesting warranty service, you will need to provide:

1. The sales receipt or other evidence of the date and place of purchase.
2. A description of the problem.
3. Delivery of the product or the defective part, postage prepaid and carefully packed and insured, to:

Hansgrohe, Inc.
1492 Bluegrass Lakes Parkway
Alpharetta, GA 30004
Toll-free 800-334-0455

When warranty service is completed, any repaired or replacement product or part will be returned to you postage prepaid.

EXCLUSIONS AND LIMITATIONS

REPAIR OR REPLACEMENT (OR, IN LIMITED CIRCUMSTANCES, REFUND OF THE PURCHASE PRICE) AS PROVIDED UNDER THIS WARRANTY IS THE EXCLUSIVE REMEDY OF THE PURCHASER. HANSGROHE NEITHER ASSUMES NOR AUTHORIZES ANY PERSON TO CREATE FOR IT ANY OTHER OBLIGATION OR LIABILITY IN CONNECTION WITH THIS PRODUCT.

HANSGROHE SHALL NOT BE LIABLE TO PURCHASER OR ANY OTHER PERSON FOR ANY INCIDENTAL, SPECIAL OR CONSEQUENTIAL DAMAGES, ARISING OUT OF BREACH OF THIS WARRANTY OR ANY IMPLIED WARRANTY (INCLUDING BUT NOT LIMITED TO ANY IMPLIED WARRANTY OF MERCHANTABILITY).

Some States do not allow the exclusion or limitation of incidental or consequential damages, so the above limitation or exclusion may not apply to you. This warranty gives you specific legal rights, and you may also have other rights that vary from state to state.

TO THE EXTENT PERMITTED BY LAW, ANY IMPLIED WARRANTIES OF MERCHANTABILITY AND FITNESS FOR A PARTICULAR PURPOSE, ARE LIMITED TO THE DURATION OF THE EXPRESS WARRANTY.

Some states do not allow limitations on how long an implied warranty may last, so the above limitations may not apply to you.

You may be required by law to give us a reasonable opportunity to correct or cure any failure to comply before you can bring any action in court against us under the Magnuson-Moss Warranty Act.

PRODUCT INSTRUCTIONS AND QUESTIONS

Upon purchase or prior to installation, please carefully inspect your Hansgrohe product for any damage or visible defect. Prior to installing, always carefully study the enclosed instructions on the proper installation and the care and maintenance of this product. If you have questions at any time about the use, installation or performance of your Hansgrohe product, or this warranty, please write us or call us toll-free at 800-334-0455.

hansgrohe

Hansgrohe, Inc. • 1490 Bluegrass Lakes Parkway • Alpharetta, GA 30004
Tel. 770-360-9880 • Fax 770-360-9887

www.hansgrohe-usa.com