

FixFit

Wall Outlet with Check Valves

Finishes : **polished nickel** Part no. : **27458833**



Description

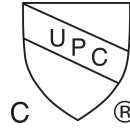
Features

- non-return valve
- 1/2" NPT

Item details

List Price \$ 86.00

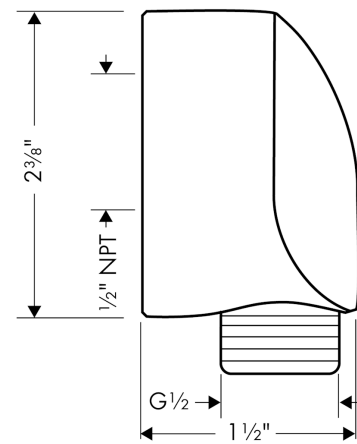
Compliance



Product image



Scale drawing



FixFit

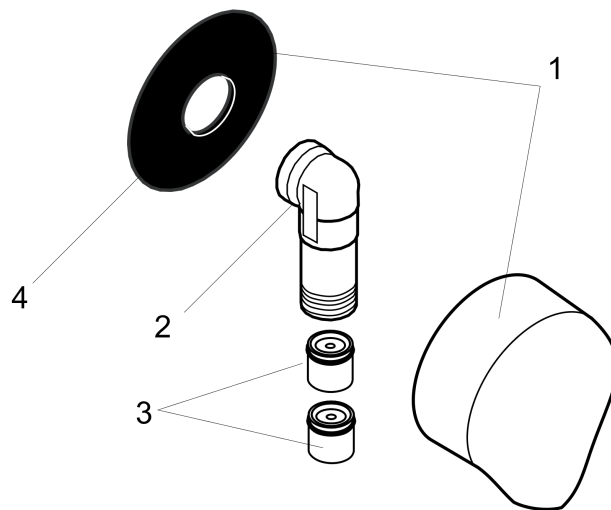
Wall Outlet with Check Valves

Finishes : **polished nickel** Part no. : **27458833**



Exploded drawing

Year of production: >07/02



FixFit

Wall Outlet with Check Valves

Finishes : **polished nickel** Part no. : **27458833**



Spare parts list

Year of production: >07/02

Pos.	Description	Part no.	Price	PU
1	cover	97454830	-	1
2	connection angel	98531001	-	1
3	set of non return valves DW 15	94074000	-	1
4	support element	98557000	-	1