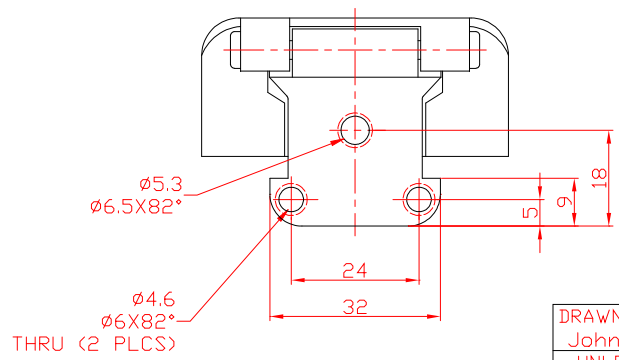
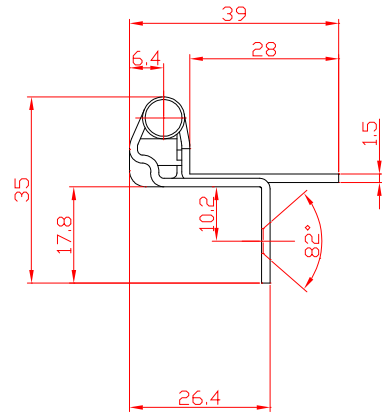


4.7 WIDE X 9.0 LG THRU (2 PLCS)



DRAWN BY: John Lai	SCALE: 1/1	DATE: 08/06/01	HARDWARE RESOURCES
UNLESS OTHERWISE SPECIFIED DIMENSIONS AND TOLERANCING ARE IN MILLIMETERS (INCHES)			4319 MARLENA ST, BOSSIER CITY, LA 71111
TOLERANCES			MATERIAL: STEEL
.X ± .1			PART NAME:
.XX ± .03			ITEM NO: H7441
.XXX ± .005			PLATING: BB

