

# JASON<sup>®</sup>

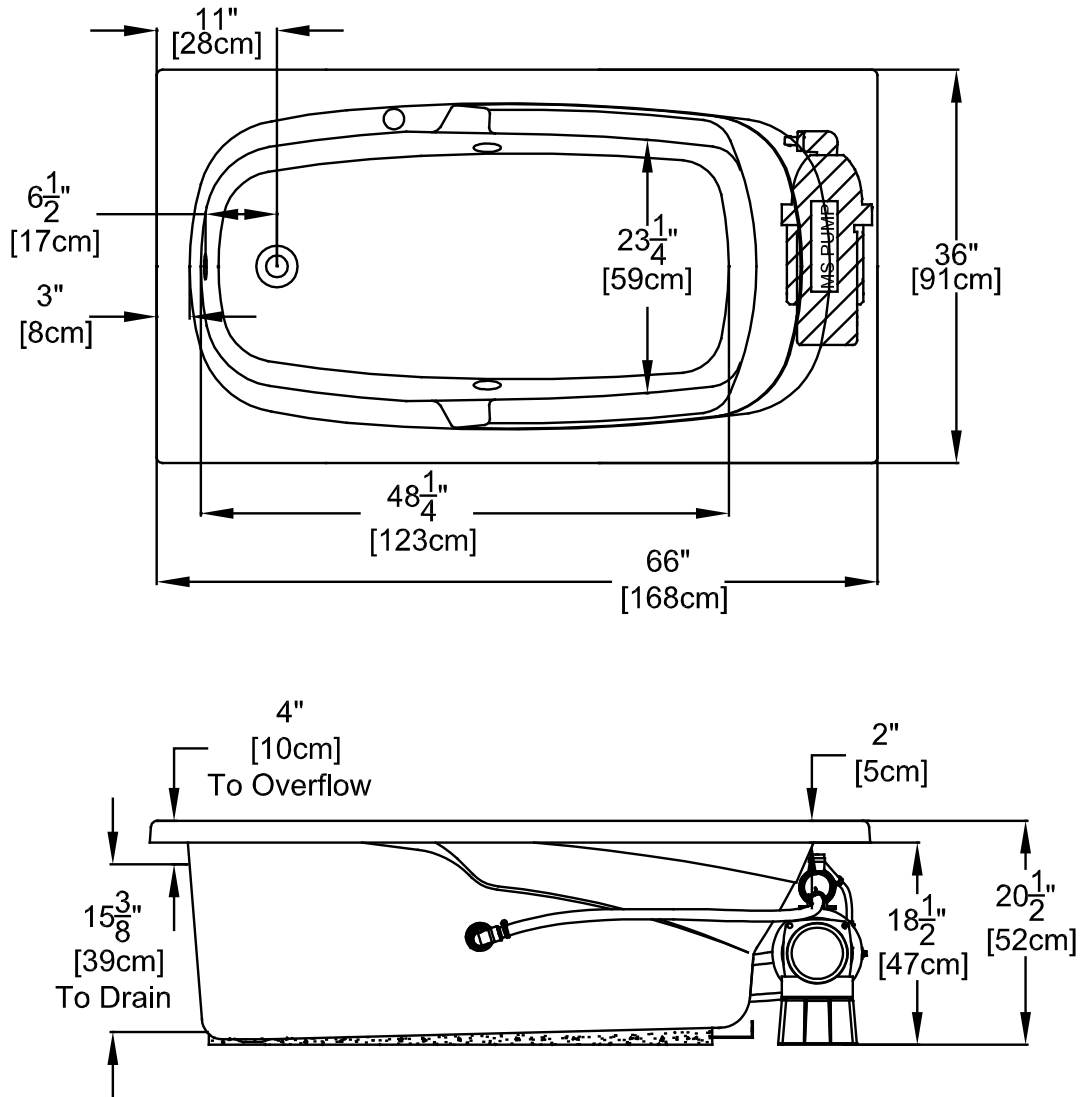
HYDROTHERAPY

8328 MacArthur Dr. • North Little Rock, AR 72118  
 501.771.4477 • Fax: 501.771.2333  
 Customer Service: 800.255.5766  
 www.jasoninternational.com

## Integrity<sup>®</sup> Collection Specifications

# B3666

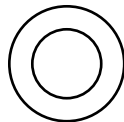
### MicroSilk<sup>®</sup>



Patents received or pending.

Note: Dimensional Tolerances: ±1/4"

<b>Drop-in-Hole Size:</b>	34" x 64"
<b>Operating Capacity:</b>	39 Gal.
<b>Overflow Capacity:</b>	61 Gal.
<b>Floor Loading / sq.ft.:</b>	44.5 lbs.
<b>Carton Weight:</b>	112 lbs.
<b>Cube:</b>	34.3 ft. <sup>3</sup>

<b>Air Switch Control</b>		Includes a quiet, 120V MicroSilk <sup>®</sup> System, an air switch, On/Off Control and 1 MicroSilk <sup>®</sup> Delivery Port. Requires (1) 20A, 120v GFCI protected circuit.
---------------------------	---	--

**Construction:** Reinforced Acrylic shell mounted on Level Form™ pre-leveled full support base.

*We provide products listed with Intertek ETL SEMKO (Edison Testing Laboratories) U.S. and Canadian and with International Association of Plumbing and Mechanical Officials (IAPMO). Consult factory with your listing requirements.*