
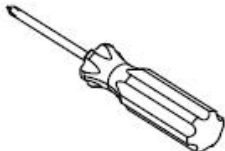



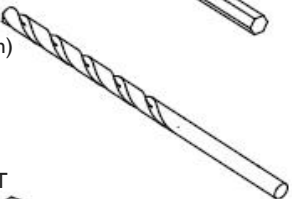

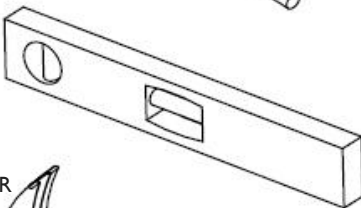

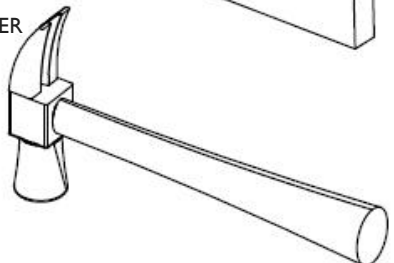

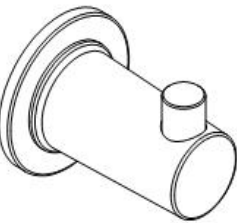


ITEMS INCLUDED		TOOLS REQUIRED	
DRY WALL ANCHOR	 X 2	PHILLIPS SCREW DRIVER	
TILE ANCHOR	 X 2	PEN / PENCIL	
#8 SCREW	 X 2	1/4" (6mm) DRILL	
MOUNTING BRACKET	 X 1	LEVEL SET	
M6 X 1 SET SCREW	 X 1	HAMMER	
3MM ALLOY STEEL HEX KEY	 X 1		
ROBE HOOK	 X 1		

INSTALLATION INSTRUCTIONS

42-12

SGL ROBE HOOK

NEWPORT BRASS
 Flawless Beauty. From Faucet to Finish.™

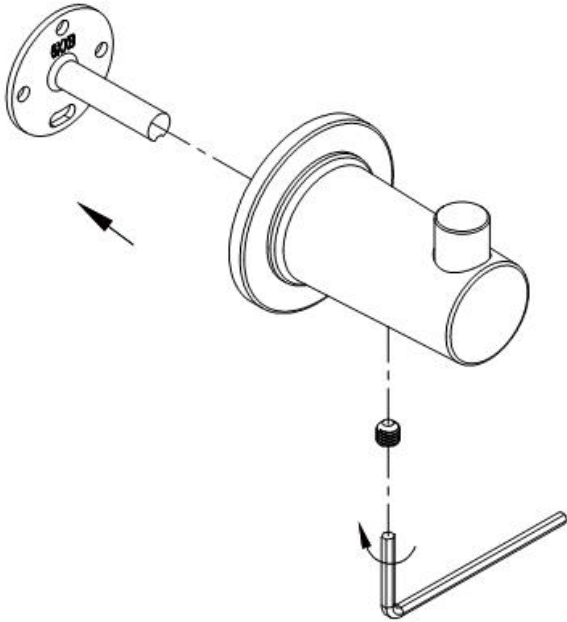
2001 CARNEGIE AVE, SANTA ANA CA 92705

(949) 417-5207

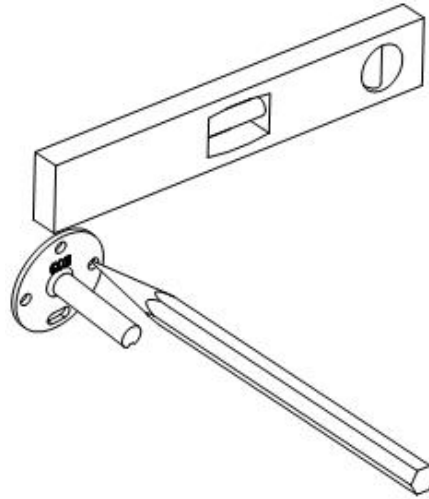
(949) 417-5207

WWW.NEWPORTBRASS.COM

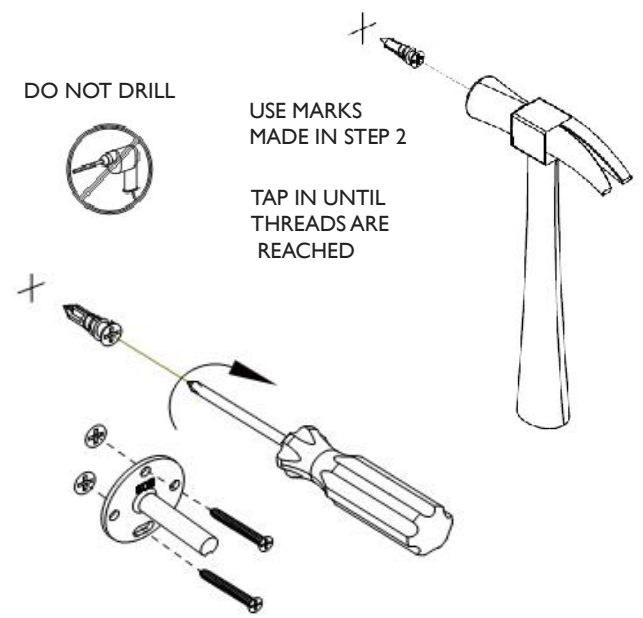
① REMOVE MOUNTING BRACKET



② ALIGN MOUNTING BRACKET AND MOUNT LOCATION



③ DRY WALL INSTALLATION

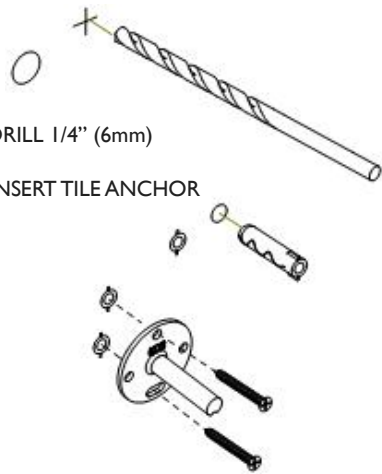


④ TILE OR SOLID WALL INSTALLATION

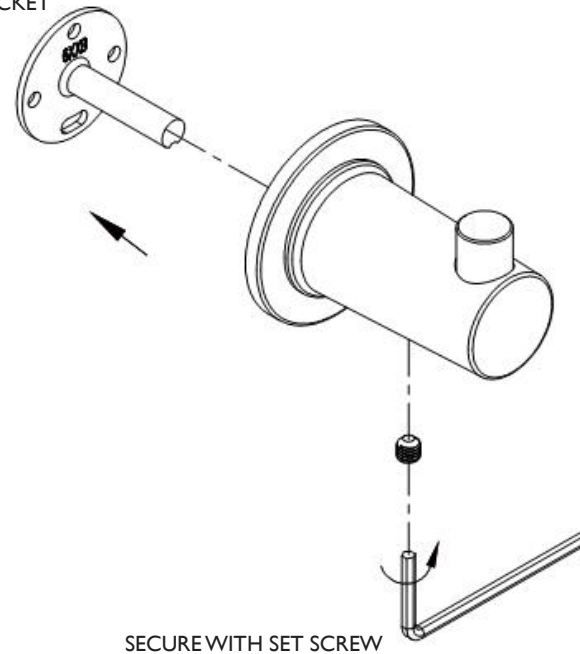
USE MARKS MADE IN STEP 2

DRILL 1/4" (6mm)

INSERT TILE ANCHOR



⑤ INSTALL PRODUCT ONTO BRACKET



SECURE WITH SET SCREW