

EAST LINEAR

Features

- Solid brass construction
- Bridge-style brass valve bodies
- Quarter-turn washerless ceramic disc valve cartridges
- Two-function, push-button control spray engine with solid brass housing
- Magnetic docking system secures spray engine to spout
- 8.78" (22.3 cm) spout height at outlet
- 8.27" (21.0 cm) spout reach (c-c)
- For 8.00" (20.3 cm) centers
- ADA Compliant (Handles Only)
- 1.8 GPM (6.8 LPM) Max

Codes / Standards Compliance

Meets or exceeds the following at date of manufacture:

- ASME A112.18.1/CSA B125.1
- IAMPO/cUPC
- NSF/ANSI/CAN 61, SECTION 9
- NSF/ANSI 372
- IPC
- ADA & ICC/ANSI A117.1 (Handle Only)
- Energy Policy Act of 1992
- ASME A112.18.3 (Back Flow)
- All applicable US Federal and State material regulations

Colors / Finishes

- 10B: Oil Rubbed Bronze
- 15: Polished Nickel
- 15S: Satin Nickel - PVD
- 26: Polished Chrome
- Other: Refer to the Newport Brass catalog for additional color/finish options.

Pull-Down Bridge Style Faucet

1400-5462



Specified Model

Model	Description	Colors Finishes			
1400-5462	Pull-Down Bridge Style Faucet	<input type="checkbox"/> 15	<input type="checkbox"/> 15S	<input type="checkbox"/> 26	<input type="checkbox"/> Other

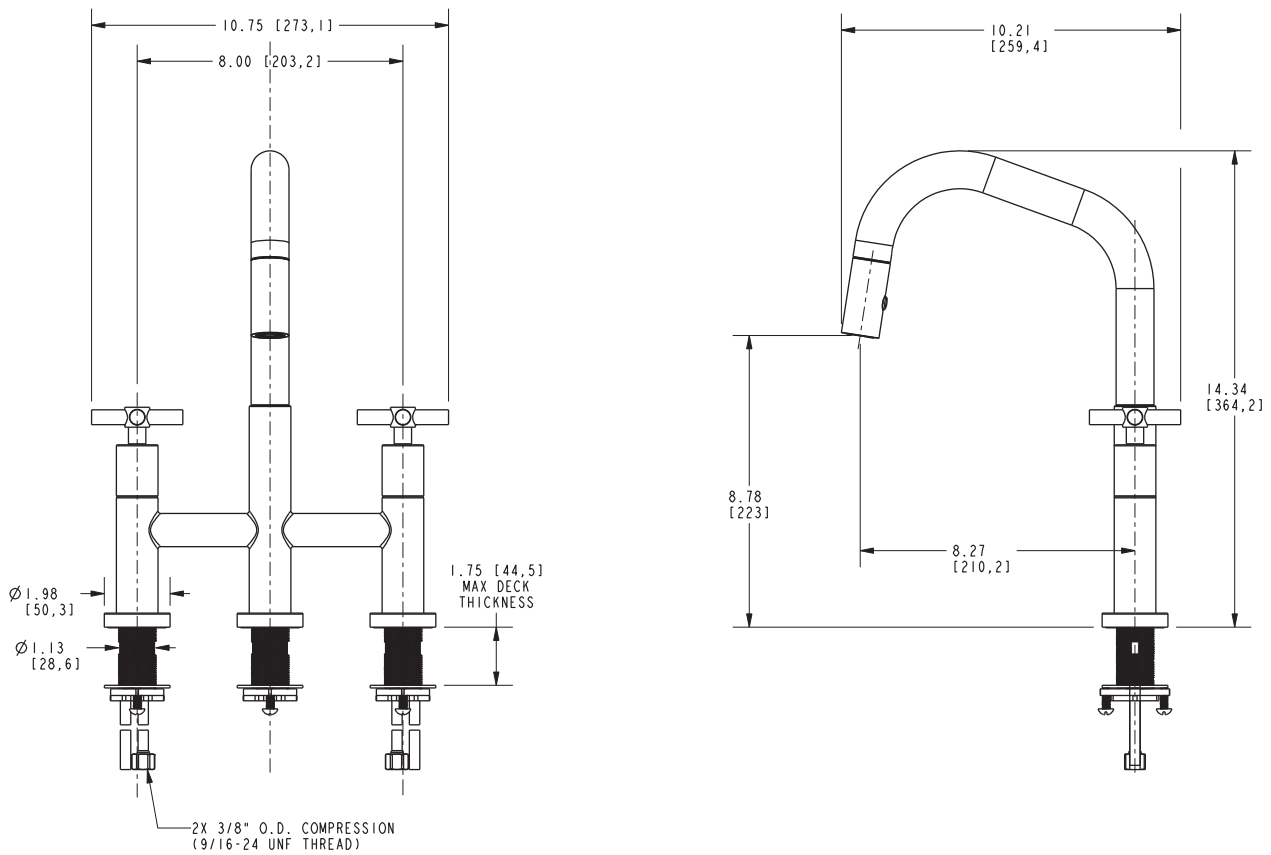
Product Specification Add "Color / Finish" suffix to Model number, below.

The Bridge Style Kitchen Faucet shall be made of solid brass construction. Faucet shall incorporate a swivel spout assembly with pull-down spray engine and feature bridge-style brass valve bodies with quarter-turn washerless ceramic disc valve cartridges. Faucet shall have a 1.8 gallons (6.8 liters) per minute maximum flow rate. Product shall be for 8.00" (20.3 cm) centers. Product shall incorporate a 8.78" (22.3 cm) spout height at outlet and a 8.27" (21.0 cm) spout reach (c-c). Faucet shall incorporate a two-function, push-button control spray engine with solid brass housing and a magnetic docking system securing the spray engine to the spout. Bridge-Style Kitchen Faucet with pulldown shall be Newport Brass Model 1400-5462/____.

1400-5462

PRODUCT DIMENSIONS *(Units are in inches)*

Product Dimensions are provided for reference only. For specific product installation guidelines, please reference the Installation Instructions of the product being installed.



East Linear Pull-Down Bridge Style Faucet 1400-5462