

Shower Trim
3-2544BP
Also 3-609

Features

- Solid brass construction
- Face plate with ADA compliant contemporary lever handle
- 1.8 gallons (6.7 liters) per minute maximum flow rate showerhead
- ADA compliant contemporary lever handle assembly for control valve
- Intended for use with Newport Brass rough valve(s) as specified (Required Accessory)

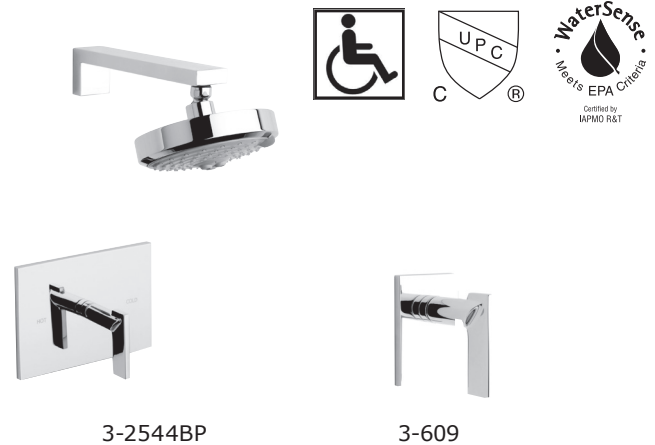
Codes / Standards Compliance

Meets or exceeds the following at date of manufacture:

- ASME A112.18.1/CSA B125.1
- IAPMO/cUPC
- IPC
- ADA
- ICC/ANSI A117.1
- ASSE 1016
- Energy Policy Act of 1992
- EPA Watersense
- All applicable US Federal and State material regulations

Colors / Finishes

- 10B: Oil Rubbed Bronze
- 15: Polished Nickel
- 15S: Satin Nickel - PVD
- 26: Polished Chrome
- Other: Refer to the Newport Brass catalog for additional color/finish options.



Specified Model

| Model | Description | Colors Finishes | | | | |
|----------|--|------------------------------|-----------------------------|------------------------------|-----------------------------|--------------------------------|
| 3-2544BP | Shower Trim | <input type="checkbox"/> 10B | <input type="checkbox"/> 15 | <input type="checkbox"/> 15S | <input type="checkbox"/> 26 | <input type="checkbox"/> Other |
| 3-609 | Shower System Control Valve Trim (Escutcheon/Handle) | <input type="checkbox"/> 10B | <input type="checkbox"/> 15 | <input type="checkbox"/> 15S | <input type="checkbox"/> 26 | <input type="checkbox"/> Other |

Required Accessory: Trim(s), above, and Rough Valve(s), below, must be specified.

| Application | Shower (or Tub) Valve (Choose One) | | Control Valve |
|--------------------------|------------------------------------|--------------------------------|--------------------------------|
| Description | Balance Pressure (BP) | Balance Pressure (BP) | Diverter (3/4 Port) |
| Inlet/Outlet Size | 1/2" | 1/2" | 1/2" |
| Part Number | <input type="checkbox"/> 1-594 | <input type="checkbox"/> 1-684 | <input type="checkbox"/> 1-617 |
| Image | | | |

Product Specification: Add size designator and "Color / Finish" suffix to Model number, below.

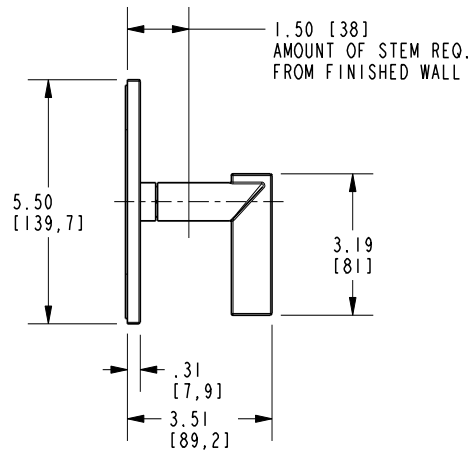
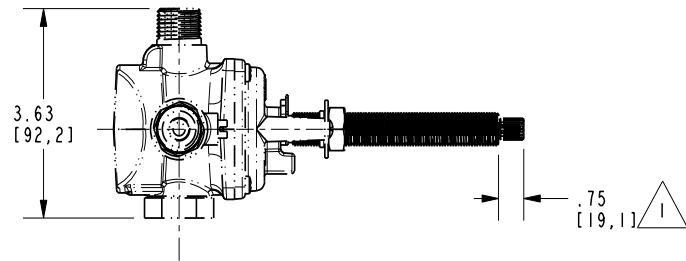
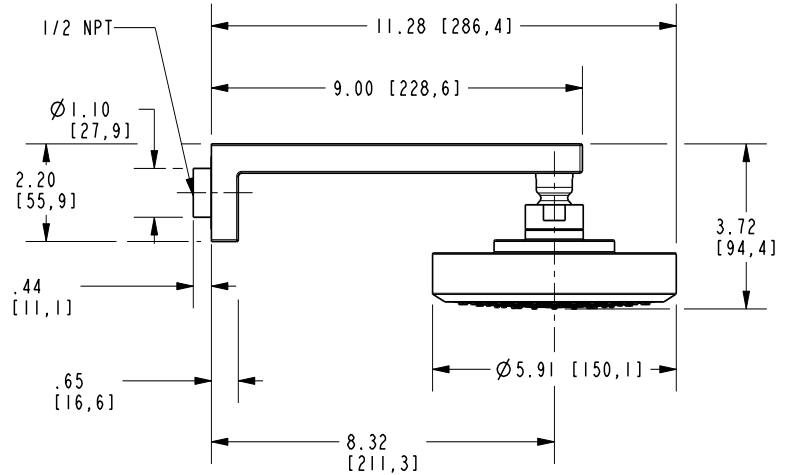
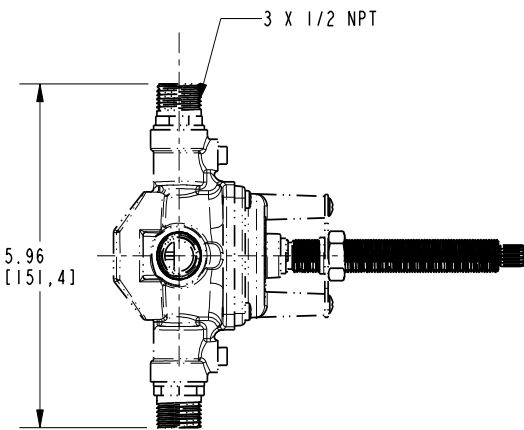
The single-control Shower Trim shall be made of solid brass construction. Shower Trim shall include showerhead with arm and flange and faceplate with ADA compliant handle. Showerhead shall have a maximum flow rate of 1.8 gallons (6.7 liters) per minute. Shower System Control Valve Trim(s) (Escutcheon/Handle) shall be ADA compliant when used with specified Shower System Control Valve. Shower Trim shall be Newport Brass Model 3-2544BP/____ and single-control Shower rough valve shall be Newport Brass Model 1-____. [Optional Shower System Control Valve Trim (Escutcheon/Handle) shall be 3-609/____ and Shower System Control Valve shall be 1-617].

3-2544BP

PRODUCT DIMENSIONS *(Units are in inches)*

NOTES:

1. CUT ALL THREADS 0.75" SHORTER THAN STEM.



Metro Shower Trim
3-2544BP

NEWPORT BRASS
Flawless Beauty. From Faucet to Finish.™