

FEATURES

- Solid brass construction
- Mounting hardware for both drywall & tile included

PRODUCT SPECIFICATION

Product shall have solid brass construction and include installation hardware. Product shall be TOTO Model Y_930____.

MODELS

- YB930 - Towel Bar
- YH930 - Robe Hook
- YP930 - Paper Holder
- YR930 - Towel Ring

COLORS/FINISHES

- #CP Polished Chrome
- #BN Brushed Nickel
- #PN Polished Nickel

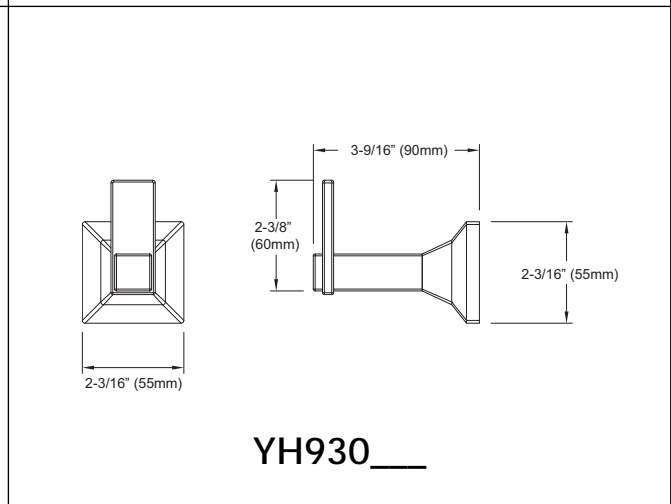
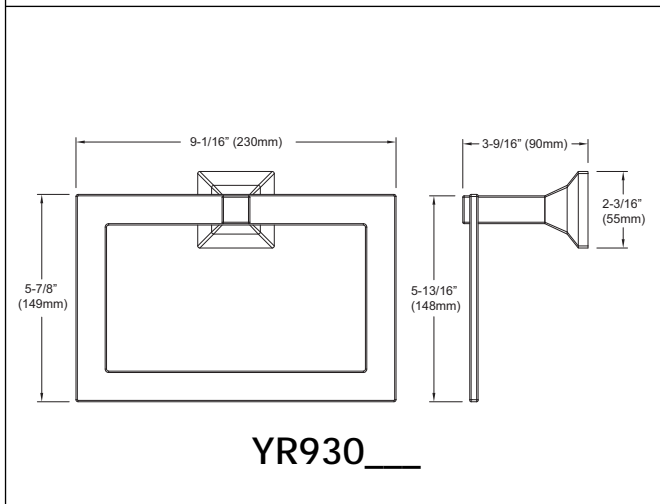
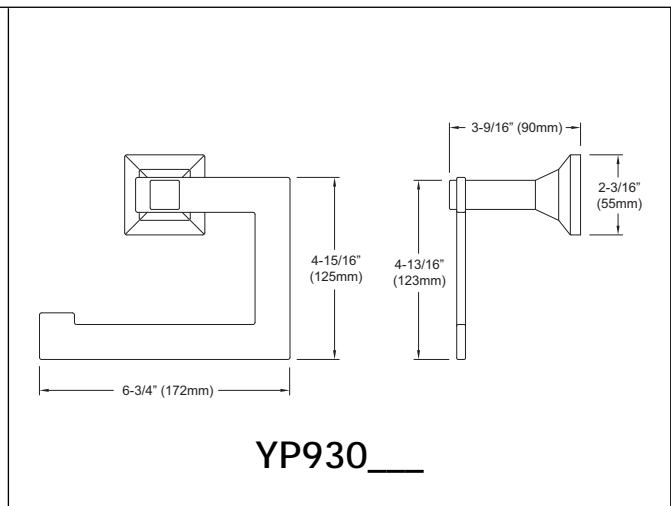
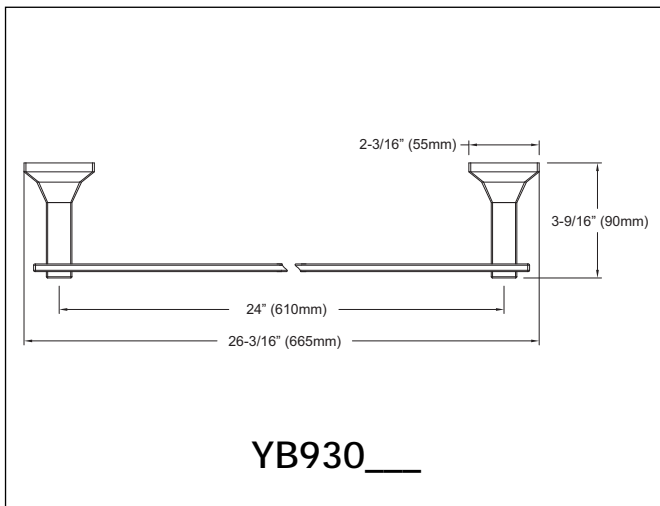
Y_930 Series

Lloyd® Bath Accessories

SPECIFICATIONS

- Warranty: Lifetime Limited Warranty (Residential Use)
One Year (Commercial Use)
- Material: Brass

Product Number	Shipping Weight	Shipping Dimensions
YB930	2.3 lbs.	30" L x 5-1/4" W x 3-1/8" D
YP930	1.1 lbs.	8-1/2" L x 7-1/2" W x 4-1/4" D
YR930	1.9 lbs.	10-3/4" L x 9-1/2" W x 4-1/8" D
YH930	0.5 lbs.	6-1/4" L x 5" W x 3" D



TOTO

These dimensions and specifications are subject to change without notice