

TOTO®

LHT242(G)

Prominence® Wall-Mount Lavatory

FEATURES

- 26" x 21-1/2"
- CeFiONtect™ ceramic glaze - prevents debris and mold from sticking to ceramic surfaces, leading to fewer chemicals and less water in cleaning (not avail on Ebony #51.)
- Elegant styling
- Rear overflow
- Vitreous china wall-mount and lavatory combination complete with mounting hardware
- ADA Compliant: Lavatory only without shroud

MODELS

- LHT242G
Wall-Mount lavatory with single hole with CeFiONtect (#01, #03, #11, #12)
- LHT242
Wall-Mount lavatory with single hole without CeFiONtect (#51 only)
- LHT242.4G
Wall-Mount lavatory with 4" faucet centers with CeFiONtect (#01, #03, #11, #12)
- LHT242.4
Wall-Mount lavatory with 4" faucet centers without CeFiONtect (#51 only)
- LHT242.8G
Wall-Mount lavatory with 8" faucet centers with CeFiONtect (#01, #03, #11, #12)
- LHT242.8
Wall-Mount lavatory with 8" faucet centers without CeFiONtect (#51 only)

Available Components:

- LT242G - Lavatory with single hole with CeFiONtect (#01, #03, #11, #12)
- LT242 - Lavatory with single hole without CeFiONtect (#51 only)
- LT242.4G - Lavatory with 4" faucet centers with CeFiONtect (#01, #03, #11, #12)
- LT242.4 - Lavatory with 4" faucet centers without CeFiONtect (#51 only)
- LT242.8G - Lavatory with 8" faucet centers with CeFiONtect (#01, #03, #11, #12)
- LT242.8 - Lavatory with 8" faucet centers without CeFiONtect (#51 only)
- HT242 - Shroud only



Faucet sold separately

COLORS/FINISHES

- #01 Cotton
- #03 Bone
- #11 Colonial White
- #12 Sedona Beige
- #51 Ebony (not available in CeFiONtect)

CODES/STANDARDS

- Meets and exceeds ASME A112.19.2/CSA B45.1
- Certifications: IAPMO(cUPC), State of Massachusetts and others
- Code compliance: UPC, IPC, NSPC, NPC Canada, and others
- ADA Compliant: Lavatory only without shroud



PRODUCT SPECIFICATION

The lavatory shall be 26" by 21-1/2". The lavatory shall be made of vitreous china and have a rear overflow. The LHT242G lavatory shall have CeFiONtect glazing. Lavatory shall be TOTO Model LHT242_____.

LHT242(G)

Prominence® Wall-Mount Lavatory

SPECIFICATIONS

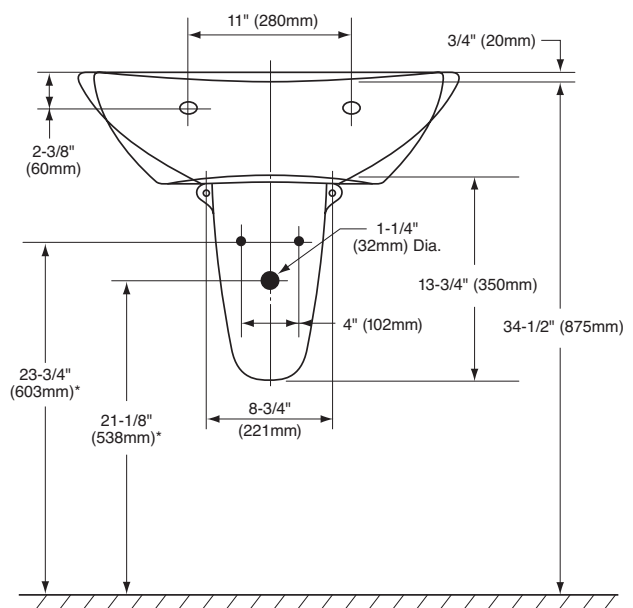
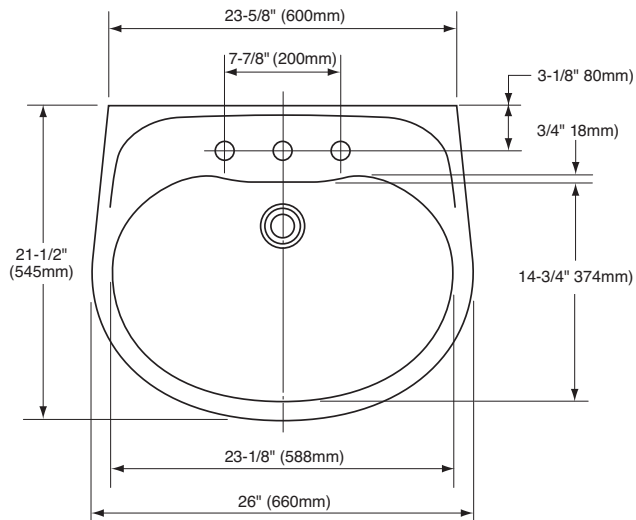
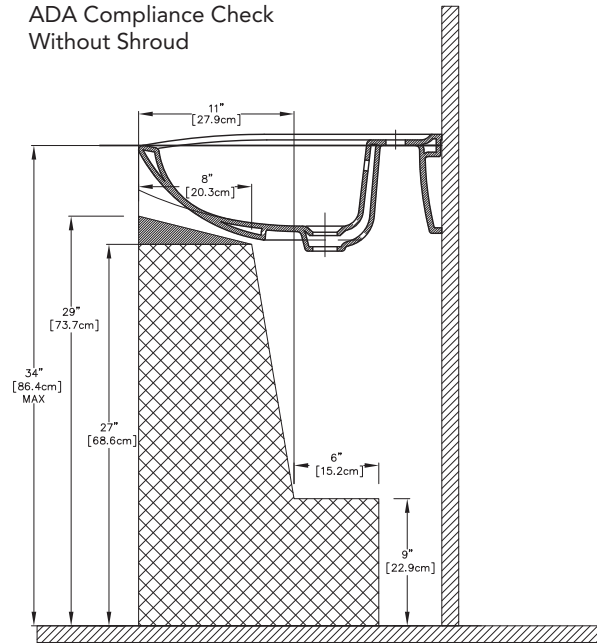
- Waste 1-1/4" O.D.
- Size 26" x 21-1/2"
- Basin 23-1/8" x 14-3/4"
- Warranty One Year Limited Warranty
- Material Vitreous china lavatory and shroud
- Shipping Weight LT242(G)/LT242.4(G)/LT242.8(G)
46 lbs.

HT242
15 lbs.

- Shipping Dimensions LT242(G)/LT242.4(G)/LT242.8(G)
26" L x 21-7/8" W x 8-1/2" H

HT242
11-3/4" L x 10-1/4" W x
14-1/8" H

ADA Compliance Check
Without Shroud



*Suggested Dimensions

TOTO®

These dimensions and specifications are subject to change without notice