

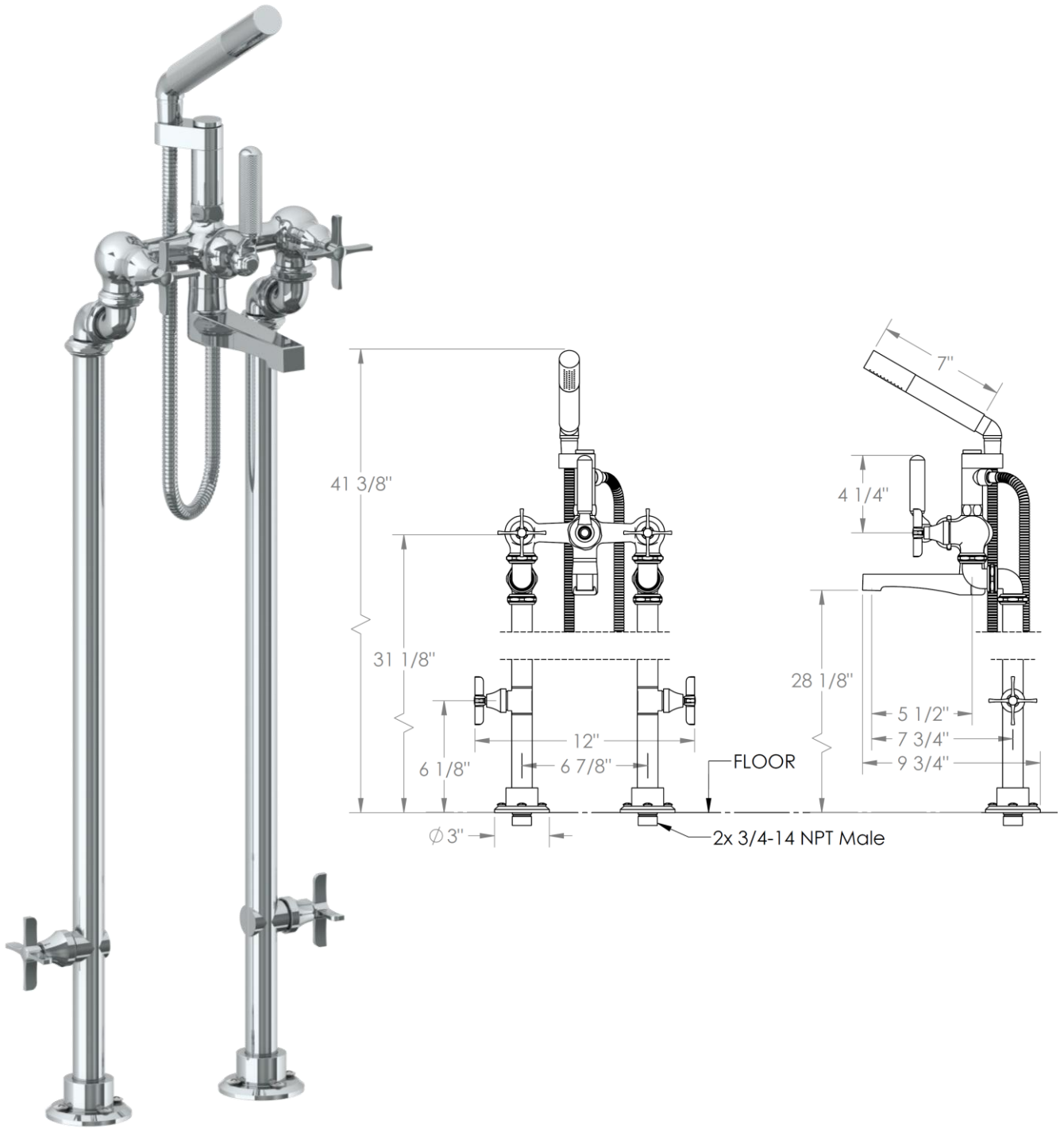
**115-8.3STP-**

Floor Standing Bath Set with Hand Shower and Shut-Off Valves

Does not use concealed rough

Hand Shower Flow Rate: 1.75 GPM

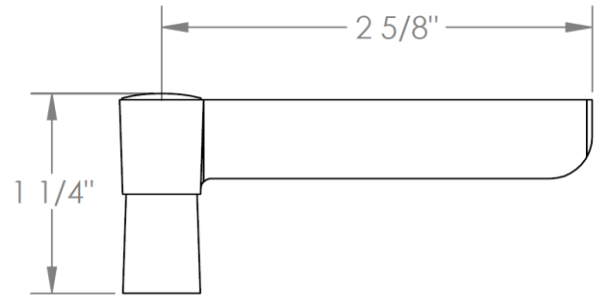
Note: Some building codes require remote pressure balance valves for anti-scald



Meets the applicable requirements of ASME A112.18.1-2005/CSA B125.1-05, entitled "Plumbing Supply Fittings"

HANDLE TRIM OPTIONS

MZ4 - STANDARD



MZ5 - WHITNEY

