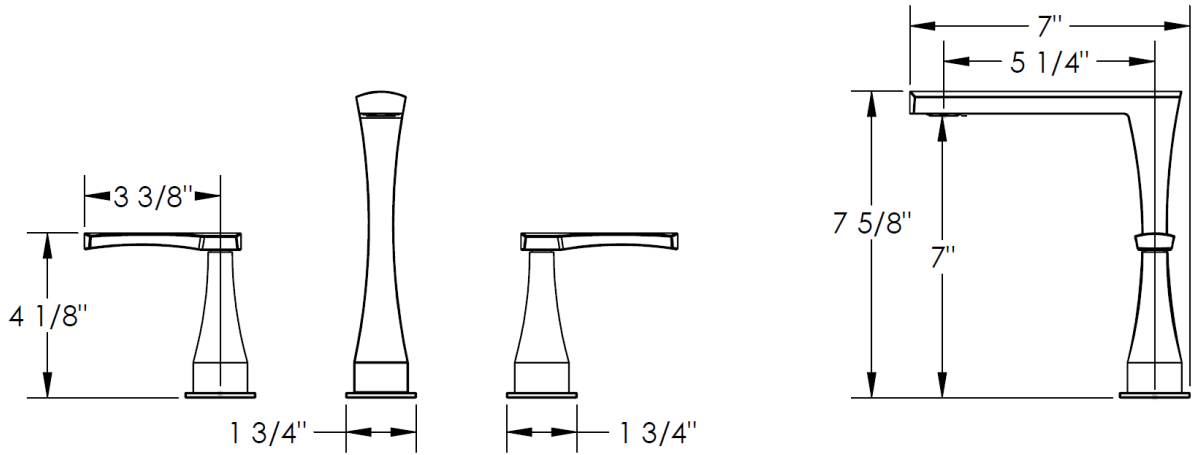


125-2-BG4

Deck Mounted 3 Hole Lavatory Set Includes
MPU5 soft touch drain with overflow
Flow Rate: 1.2 GPM



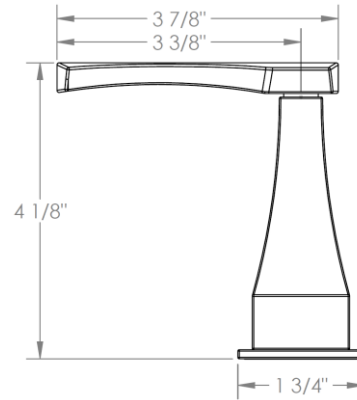
Meets the applicable requirements of ASME A112.18.1-2005/CSA B125.1-05, entitled "Plumbing Supply Fittings"

WATERMARK DESIGNS 12/24/2014

350 Dewitt Ave Brooklyn NY 11207 USA T 718 257 2800 F 718 257 2144 info@watermark-designs.com

Chelsea Handle Trim Options

BG4 – JOYCE



BG5 – MARKET

