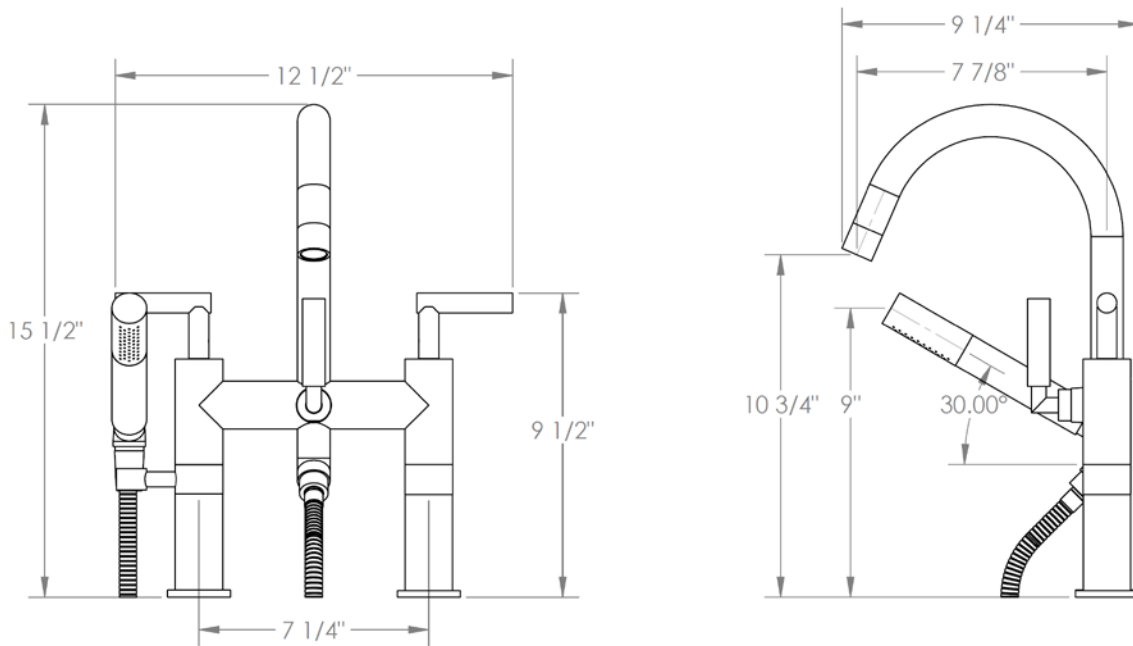


**23-8.2-L8**

Deck Mounted Bath Set with Hand Shower  
Hand Shower Flow Rate: 2.0 GPM



Meets the applicable requirements of ASME A112.18.1-2005/CSA B125.1-05, entitled "Plumbing Supply Fittings"