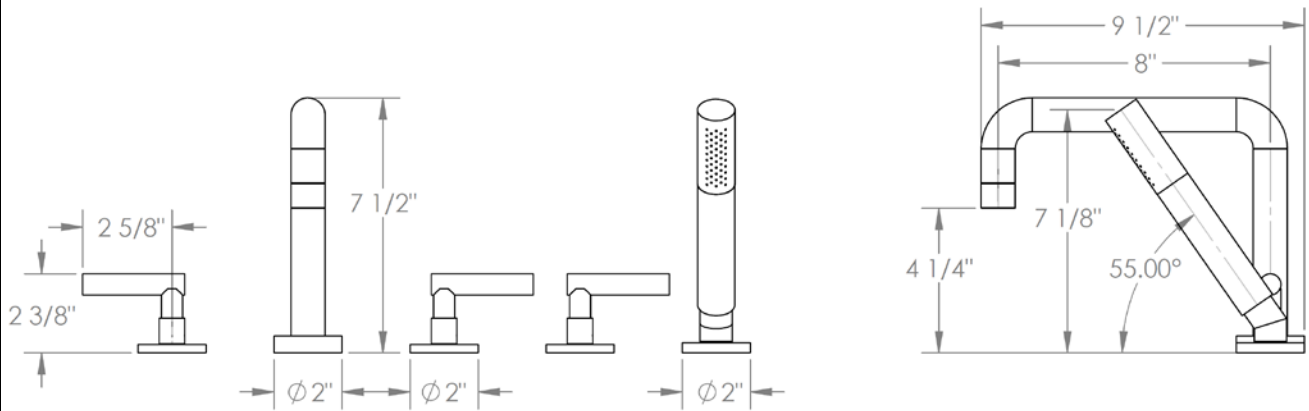


23-8.26.1-L8

Deck Mounted Bath Set

Flow Rate: 1.25 GPM



Meets the applicable requirements of ASME A112.18.1-2005/CSA B125.1-05, entitled "Plumbing Supply Fittings"