

# JASON<sup>®</sup>

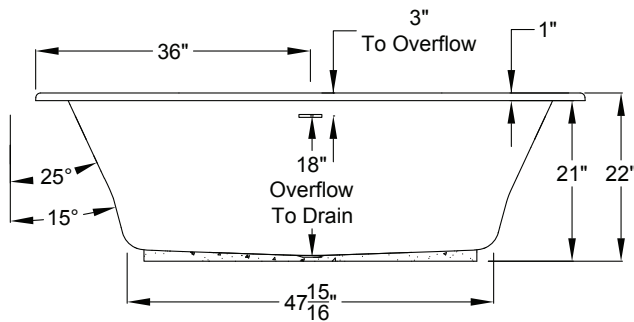
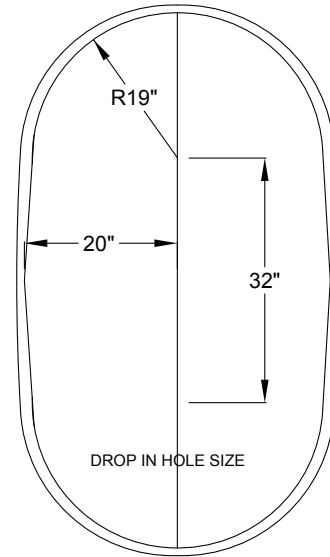
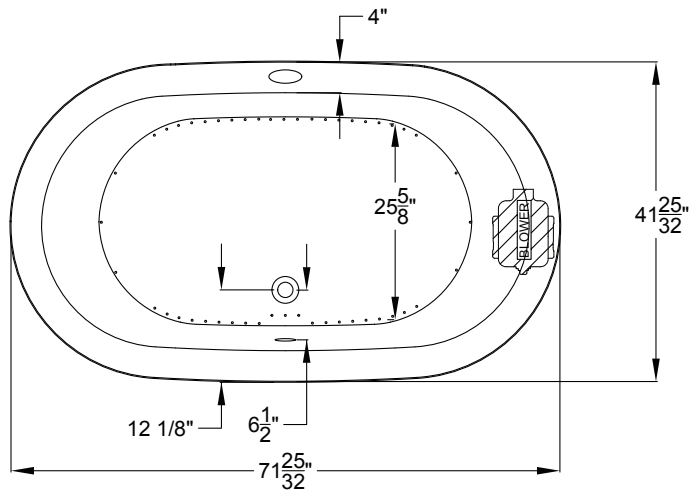
HYDROTHERAPY

8328 MacArthur Dr. • North Little Rock, AR 72118  
 501.771.4477 • Fax: 501.771.2333  
 Customer Service: 800.255.5766  
 www.jasoninternational.com

## forma<sup>®</sup> Collection Specifications

### AC635

### AirMasseur<sup>®</sup>



Patents received or pending.

Includes Linear Overflow Drain Assembly




Note: Dimensional Tolerances: ±1/4"

|                                |                       |
|--------------------------------|-----------------------|
| <b>Drop-in-Hole Size:</b>      | See Diagram           |
| <b>Operating Capacity:</b>     | 56 Gal.               |
| <b>Overflow Capacity:</b>      | 103 Gal.              |
| <b>Floor Loading / sq.ft.:</b> | 49.3 lbs.             |
| <b>Carton Wt (WP/Soaking):</b> | 137 lbs.              |
| <b>Cube:</b>                   | 46.0 ft. <sup>3</sup> |

**Note:** The blower extends approximately 1" past the end radius of the bath. This requires angling the bath into the drop-in hole.

**Construction:** Fiberglass reinforced acrylic bath with Level Form™ full-support base.

*We provide products listed with Intertek ETL SEMKO (Edison Testing Laboratories) U.S. and Canadian and with International Association of Plumbing and Mechanical Officials (IAPMO). Consult factory with your listing requirements.*

| Model     | Control Panel   | Specifications  |
|-----------|---|---|
| Standard  |  | A 120V system that includes a 1HP, variable speed blower with integral heater; automatic purge cycle; an electronic control that operates blower and blower speed for continuous, wave, or massage pulse modes; and a 20-minute timer.  |
| Premier   |  | A 120V system that includes a 1HP, variable speed blower with integral heater; automatic purge cycle; (2) Chromatherapy mood lights; Automatic Ozone System; an electronic control that operates blower and blower speed for continuous, wave, or massage pulse modes; and a 20-minute timer.   |
| Signature |  | A 120V system that includes a 1HP, variable speed blower with integral heater; automatic purge cycle; (2) Chromatherapy mood lights; Automatic Ozone System; a digital control with LCD display; low water level and temperature sensors; enhanced user control options; a 20-minute timer; and Bluetooth Sound Immersion System.<br><br>Control keypad operates blower and blower speed for continuous, wave, or pulse massage modes, LED Chromatherapy lights, and shows equipment status, water temperature, and time remaining. |