

# JASON<sup>®</sup>

HYDROTHERAPY

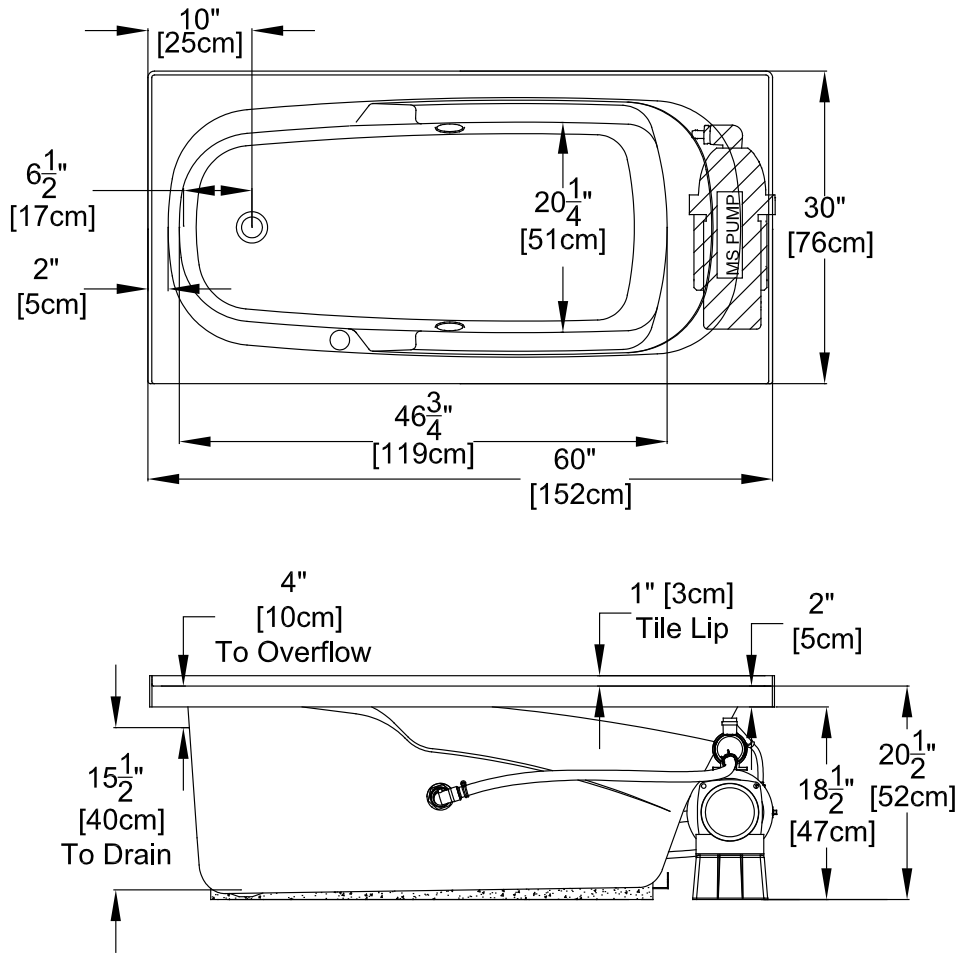
8328 MacArthur Dr. • North Little Rock, AR 72118  
 501.771.4477 • Fax: 501.771.2333  
 Customer Service: 800.255.5766  
 www.jasoninternational.com

## Integrity<sup>®</sup> Collection Specifications

# B3060-TL

### MicroSilk<sup>®</sup>

**with Integral Tile Lip**



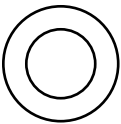
Patents received or pending.

**Note:** Control Air Switch will be opposite the tile lip.

Note: Dimensional Tolerances: ±1/4"

<b>Drop-in-Hole Size:</b>	N/A
<b>Operating Capacity:</b>	29 Gal.
<b>Overflow Capacity:</b>	48 Gal.
<b>Floor Loading / sq.ft.:</b>	49.5 lbs.
<b>Carton Weight:</b>	103 lbs.
<b>Cube:</b>	26.4 ft. <sup>3</sup>

Air Switch Control



Includes a quiet, 120V MicroSilk<sup>®</sup> System, an air switch, On/Off Control and 1 MicroSilk<sup>®</sup> Delivery Port. Requires (1) 20A, 120v GFCI protected circuit.

**Construction:** Reinforced Acrylic shell mounted on Level Form™ pre-leveled full support base.

*We provide products listed with Intertek ETL SEMKO (Edison Testing Laboratories) U.S. and Canadian and International Association of Plumbing and Mechanical Officials (IAPMO). Consult factory with your listing requirements.*