

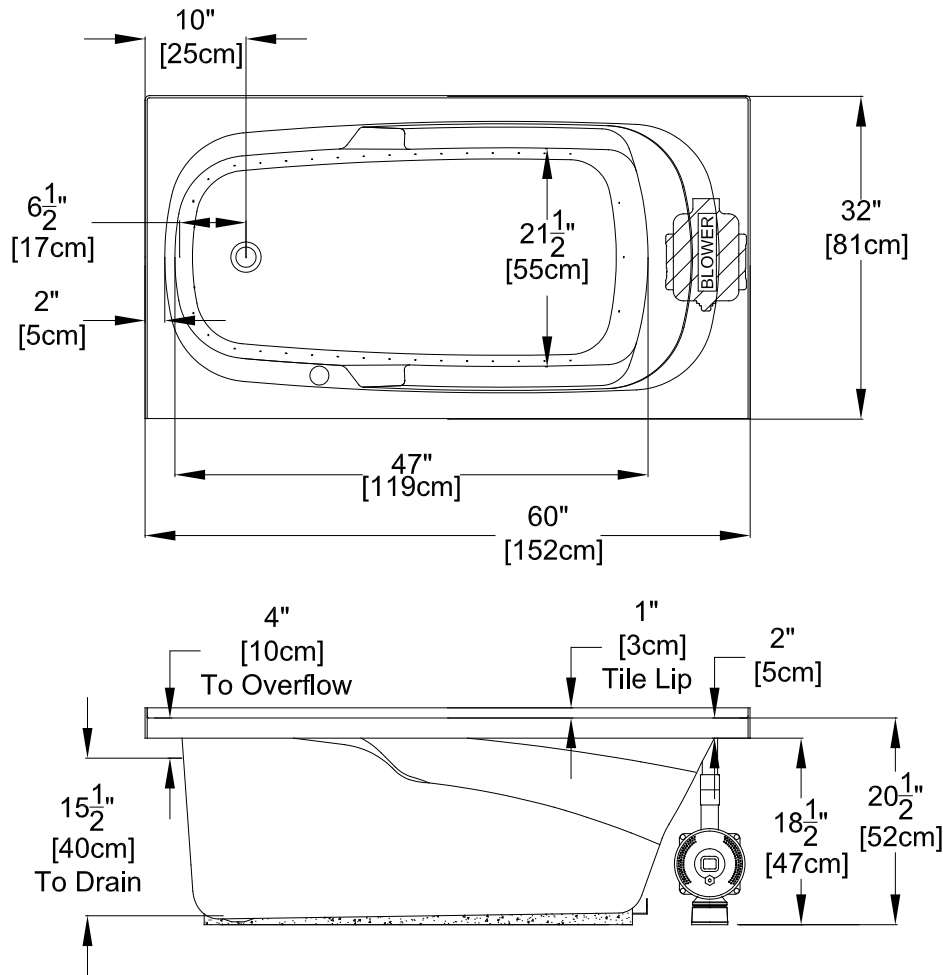
# JASON<sup>®</sup>

HYDROTHERAPY

8328 MacArthur Dr. • North Little Rock, AR 72118  
 501.771.4477 • Fax: 501.771.2333  
 Customer Service: 800.255.5766  
 www.jasoninternational.com

**Integrity<sup>®</sup> Collection Specifications**  
**B3260-TL**  
**AirMasseur<sup>®</sup>**

**with Integral Tile Lip**



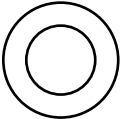
Patents received or pending.

**Note:** Control Air Switch will be opposite the tile lip.

Note: Dimensional Tolerances: ±1/4"

<b>Drop-in-Hole Size:</b>	N/A
<b>Operating Capacity:</b>	32 Gal.
<b>Overflow Capacity:</b>	52 Gal.
<b>Floor Loading / sq.ft.:</b>	49.1 lbs.
<b>Carton Weight:</b>	107 lbs.
<b>Cube:</b>	28.1 ft. <sup>3</sup>

Air Switch Control



Includes a quiet, 120v, 3/4 HP, variable speed air blower with an integral air heater, 20-minute timer and automatic purge cycle. Air switch operates the on/off and speed functions of the blower. Requires (1) 15A, 120v GFCI protected circuit.

**Construction:** Reinforced Acrylic shell mounted on Level Form™ pre-leveled full support base.

*We provide products listed with Intertek ETL SEMKO (Edison Testing Laboratories) U.S. and Canadian and with International Association of Plumbing and Mechanical Officials (IAPMO). Consult factory with your listing requirements.*