

# JASON<sup>®</sup>

HYDROTHERAPY

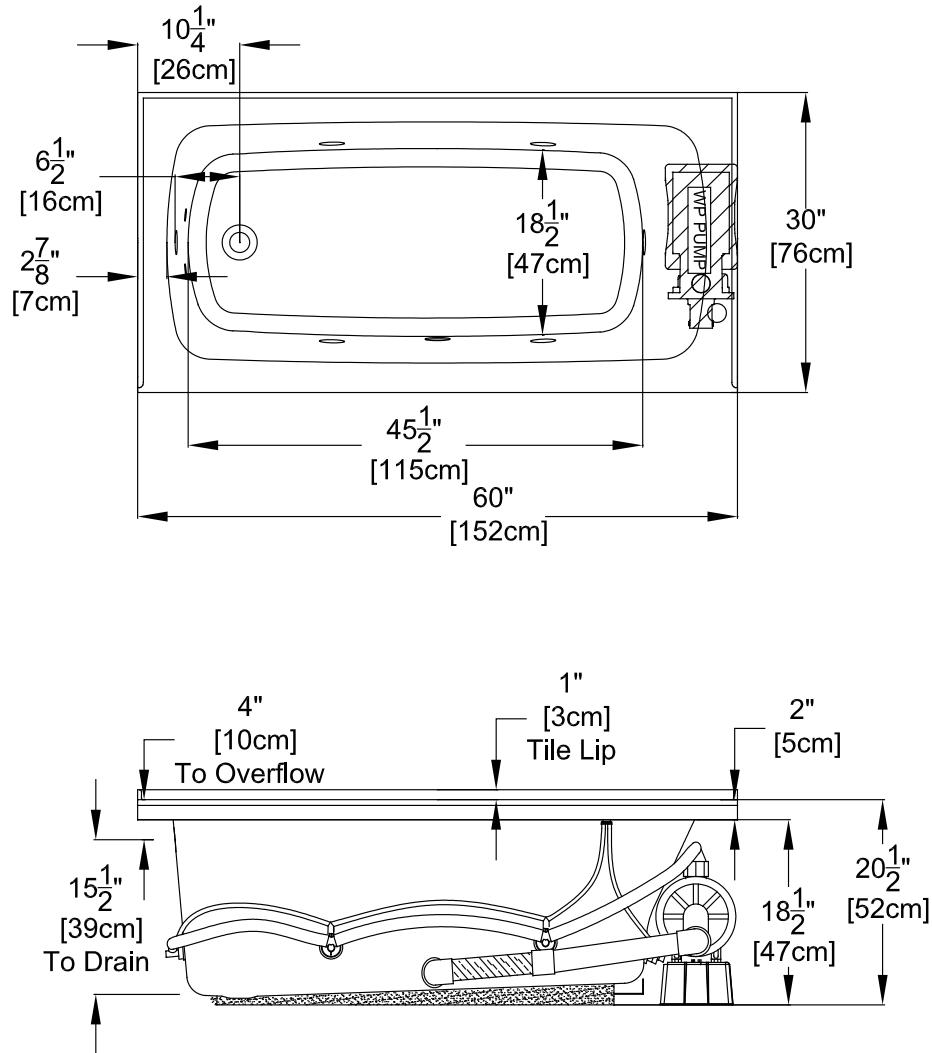
8328 MacArthur Dr. • North Little Rock, AR 72118  
 501.771.4477 • Fax: 501.771.2333  
 Customer Service: 800.255.5766  
 www.jasoninternational.com

## Integrity<sup>®</sup> Collection Specifications

### K3060-TL

#### Whirlpool & Soaking

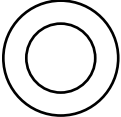
with Integral Tile Lip



Patents received or pending.

**Note:** Control Air Switch will be located on bather's left.

Note: Dimensional Tolerances: ±1/4"

<b>Air Switch Control</b>		Includes a quiet, 120v, 1HP, 1-speed pump and an air switch on/off control. Requires (1) 20A, 120v GFCI protected circuit.
---------------------------	---	--

<b>Drop-in-Hole Size:</b>	N/A
<b>Operating Capacity:</b>	38 Gal.
<b>Overflow Capacity:</b>	60 Gal.
<b>Floor Loading / sq.ft (WP/Soaking):</b>	57.0 / 53.5 lbs.
<b>Carton Wt. (WP/Soaking):</b>	103 / 68 lbs.
<b>Cube:</b>	26.4 ft. <sup>3</sup>

**Construction:** Reinforced Acrylic shell mounted on Level Form™ pre-leveled full support base.

*We provide products listed with Intertek ETL SEMKO (Edison Testing Laboratories) U.S. and Canadian and with International Association of Plumbing and Mechanical Officials (IAPMO). Consult factory with your listing requirements.*